

Service
Service
Service



Service Manual



CONTENTS

Technical specification 1-2
 Version variation 1-2

Service measurement setup..... 1-3
 Service aids 1-4
 Instructions on CD playability 2-1..2-2

Block diagram 3-1
 Wiring diagram 4-1
 Disassembly diagram..... 5-1..5-2

Main board
 Circuit diagram 6-1
 Layout diagram..... 6-2.. 6-3

AC board
 Circuit diagram 7-1
 Layout diagram..... 7-2.. 7-3

Display board
 Circuit diagram 8-1
 Layout diagram..... 8-2.. 8-3

AMP & Power Board
 Circuit diagram 9-1
 Layout diagram 9-2.. 9-3

Tuner board
 Circuit diagram 10-1
 Layout diagram 10-2

CD Board
 Circuit diagram 11-1
 Layout diagram 11-2.. 11-3

MCU Board
 Circuit diagram 12-1.. 12-2
 Layout diagram 12-3.. 12-4

Exploded view diagram 13-1

© Copyright 2010 Philips Consumer Electronics B.V. Eindhoven, The Netherlands
 All rights reserved. No part of this publication may be reproduced, stored in a retrieval
 system or transmitted, in any form or by any means, electronic, mechanical, photocopying,
 or otherwise without the prior permission of Philips.



TECHNICAL SPECIFICATION

Sound

- Total Sound Power (RMS): 280 W
- Output Power: 3600W PMPO
- Sound Enhancement: MAX Sound, Dynamic Bass Boost 3 steps, Digital Sound Control 4 modes, Incredible Surround, Virtual Ambience Control
- Output power (RMS): 4 x 70W / ch

Loudspeakers

- Main Speaker: 2 way, 2" tweeter, Bass Reflex Speaker System, 6.5" woofer
- Number of Loudspeakers: 2

Audio Playback

- Loader Type: 3 CD Carousel
- Number of Discs: 3
- Playback Media: CD, CD-R, CD-RW, MP3-CD, WMA-CD
- USB Direct Modes: Delete, Fast Backward/Fast Forward, Play/Pause, Previous/Next, Repeat, Shuffle, Stop
- Disc Playback Modes: Repeat/one/disk/program, Shuffle Play, 40-Track Programmable

Audio Recording

- Recording Media: USB device
- USB recording modes: Instant record, Programmed tracks, Schedule radio program, Single disc, Single track
- USB recording sources: Aux, CD, Tuner, Microphone in

Tuner/Reception/Transmission

- Auto digital tuning
- Station presets: 40
- Tuner Bands: MW, FM Stereo
- Tuner Enhancements: Auto Store, Easy Set (Plug & Play)

Connectivity

- Microphone: Dual Microphone sockets
- Other connections: FM Antenna, MW Antenna, AM Antenna
- USB: USB host
- Audio Connections: RCA Aux in, 3.5mm stereo line in -MP3 link

Convenience

- Alarms: CD Alarm, USB alarm, Radio Alarm, Sleep timer
- Clock: On main display
- Display Type: LCD
- Karaoke: MIC volume, Echo control

Accessories

- Included accessories: FM/MW Antenna, *Flat pin adaptor, Batteries for remote control, AC Power Cord
- Remote control: 36-key with 2xAAA batteries
- Guarantee booklet: Global version
- User Manual: Spanish, B-Portuguese
- Quick start guide: Spanish, B-Portugues
- Cables: MP3 Line in Cable

Dimensions

- Set dimensions (W x H x D): 265 x 310 x 390 mm
- Packaging dimensions (W x H x D): 900 x 440 x 326 mm
- Weight incl. Packaging: 15.92 kg
- Speaker Depth: 273 mm
- Speaker Height: 358 mm
- Speaker Width: 230 mm

Power

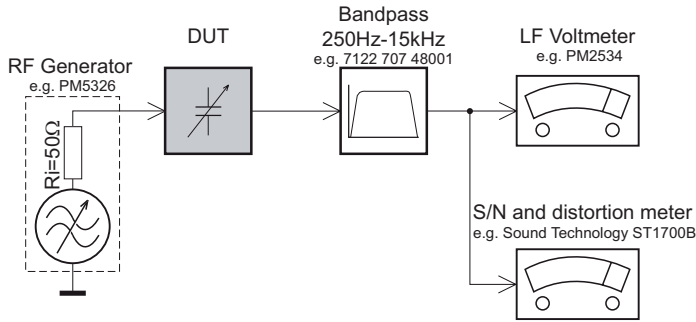
- Power supply: 100-240VAC, 50/60Hz

VERSION VARIATION

Type /Versions:		FWM462									
		/55	/00		/77	/BK	/93	/94			/98
Board in used:	Service policy										
AC BOARD	C/M				C/M	C/M					
MAIN BOARD	C/M				C/M	C/M					
TUNER BOARD	C/M				C/M	C/M					
AMP & POWER BOARD	C/M				C/M	C/M					
DISPLAY BOARD	C/M				C/M	C/M					
CD BOARD	C/M				C/M	C/M					
MCU BOARD	C/M				C/M	C/M					
Type /Versions:		FWM462									
		/55	/00		/77	/BK	/93	/94			/98
Features	Feature difference										
RDS											
VOLTAGE SELECTOR											
ECO STANDBY - DARK											
* TIPS : C -- Component Lever Repair. M -- Module Lever Repair √ -- Used											

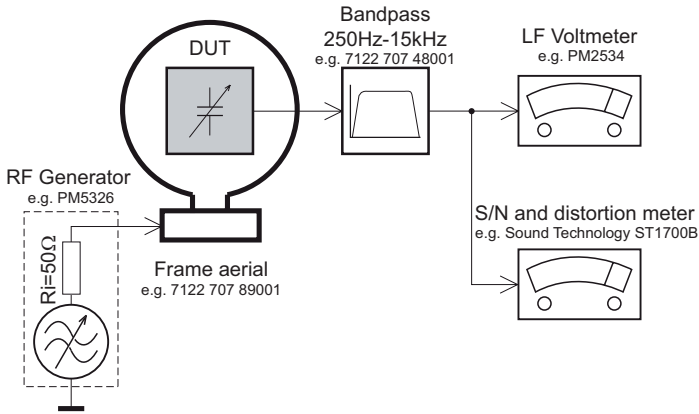
MEASUREMENT SETUP

Tuner FM



Use a bandpass filter to eliminate hum (50Hz, 100Hz) and disturbance from the pilotone (19kHz, 38kHz).

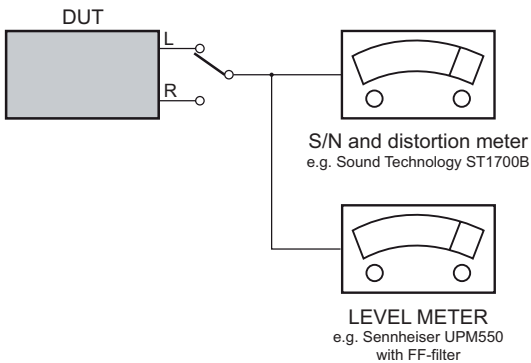
Tuner AM (MW,LW)



To avoid atmospheric interference all AM-measurements have to be carried out in a Faraday's cage. Use a bandpass filter (or at least a high pass filter with 250Hz) to eliminate hum (50Hz, 100Hz).

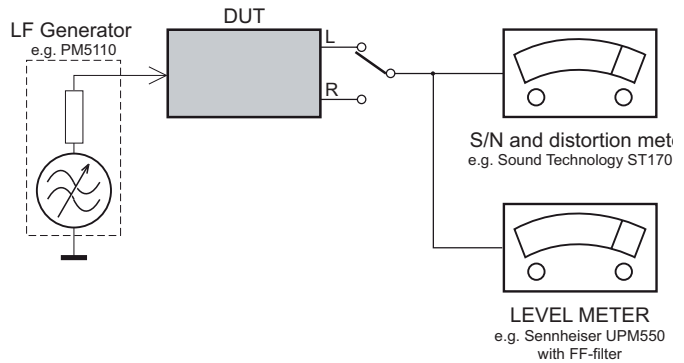
CD

Use Audio Signal Disc SBC429 4822 397 30184 (replaces test disc 3)



Recorder

Use Universal Test Cassette Cr02 SBC419 4822 397 30069 or Universal Test Cassette Fe SBC420 4822 397 30071



SERVICE AIDS

GB WARNING

All ICs and many other semi-conductors are susceptible to electrostatic discharges (ESD). Careless handling during repair can reduce life drastically.

When repairing, make sure that you are connected with the same potential as the mass of the set via a wrist wrap with resistance. Keep components and tools also at this potential.

ESD



GB

Safety regulations require that the set be restored to its original condition and that parts which are identical with those specified, be used

Safety components are marked by the symbol Δ .

**CLASS 1
LASER PRODUCT**

INFORMATION ABOUT LEAD-FREE SOLDERING

Philips CE is producing lead-free sets from 1.1.2005 onwards.

IDENTIFICATION:

Regardless of special logo (not always indicated) one must treat all sets from 1 Jan 2005 onwards, according next rules:



- On our website www.atyourservice.ce.Philips.com you find more information to:
 - * BGA-de-/soldering (+ baking instructions)
 - * Heating-profiles of BGAs and other ICs used in Philips-sets
 - * Lead free

You will find this and more technical information within the "magazine", chapter "workshop news".

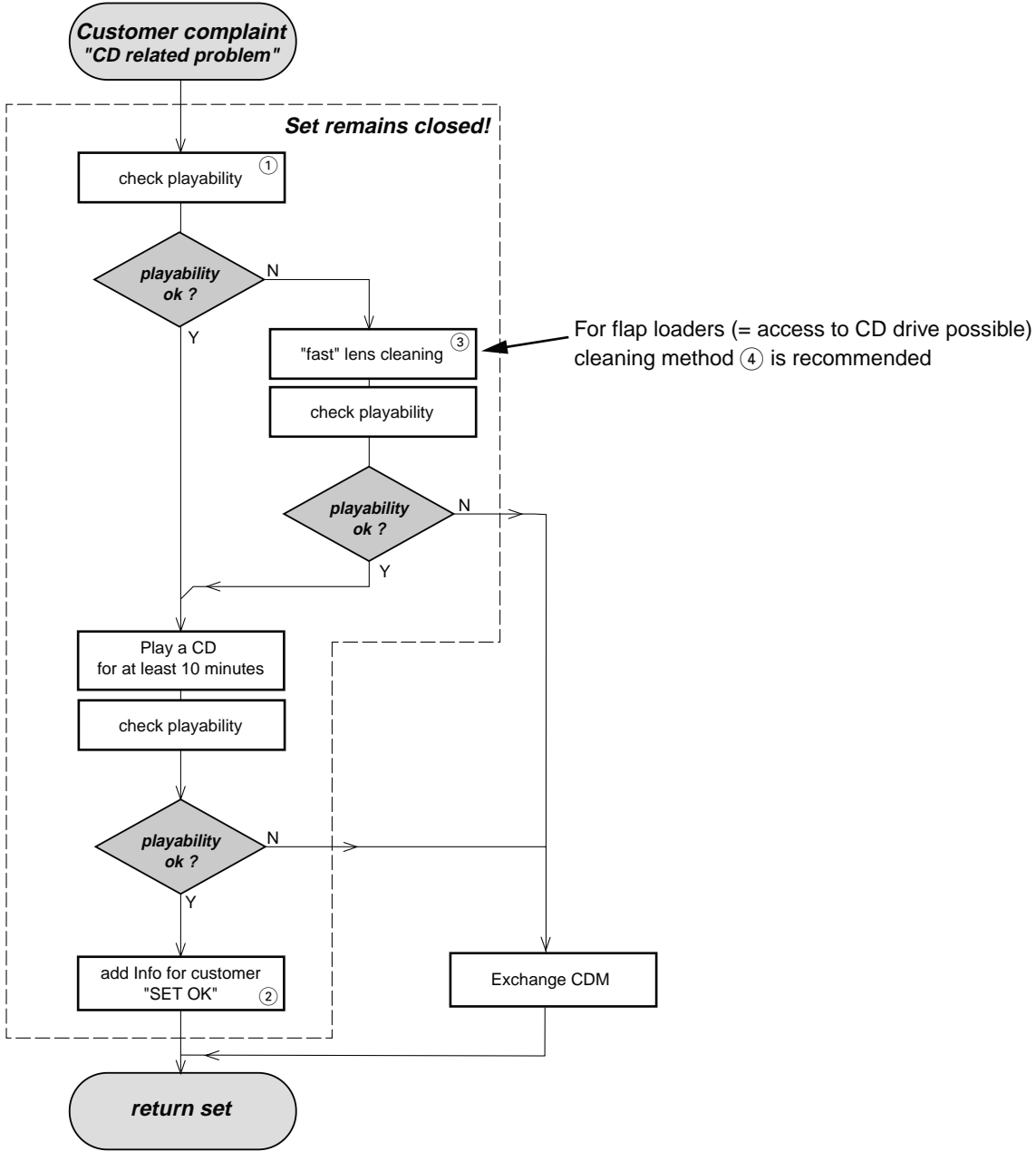
For additional questions please contact your local repair-helpdesk.

SERVICE INSTRUCTION

Safety regulations require that after a repair, the set must be returned in its original condition. Pay in particular attention to the following points:

- Route the wire trees correctly and fix them with the mounted cable clamps.
- Check the insulation of the AC Power lead for external damage.
- Check the strain relief of the AC Power cord for proper function.
- Check the electrical DC resistance between the AC Power Plug and the secondary side (only for sets which have a AC Power isolated power supply):
 1. Unplug the AC Power cord and connect a wire between the two pins of the AC Power plug.
 2. Set the AC Power switch to the "on" position (keep the AC Power cord unplugged!).
 3. Measure the resistance value between the pins of the AC Power plug and the metal shielding of the tuner or the aerial connection on the set. The reading should be larger than 4.5 Mohm (For U.S. it should be between 4.2 Mohm and 12 Mohm).
 4. Switch "off" the set, and remove the wire between the two pins of the AC Power plug.
- Check the cabinet for defects, to avoid touching of any inner parts by the customer.

INSTRUCTIONS ON CD PLAYABILITY



① - ④ For description - see following pages

INSTRUCTIONS ON CD PLAYABILITY

①

PLAYABILITY CHECK

For sets which are compatible with **CD-RW** discs
 use CD-RW Printed Audio Disc7104 099 96611
 TR 3 (Fingerprint)
 TR 8 (600µ Black dot) **maximum at 01:00**

- playback of these two tracks without audible disturbance
 playing time for: Fingerprint ≥ 10 seconds
 Black dot from 00:50 to 01:10
- jump forward/backward (search) within a reasonable time

For all other sets
 use CD-DA SBC 444A4822 397 30245
 TR 14 (600µ Black dot) **maximum at 01:15**
 TR 19 (Fingerprint)
 TR 10 (1000µ wedge)

- playback of all these tracks without audible disturbance
 playing time for: 1000µ wedge ≥ 10 seconds
 Fingerprint ≥ 10 seconds
 Black dot from 01:05 to 01:25
- jump forward/backward (search) within a reasonable time

②

CUSTOMER INFORMATION

It is proposed to add an addendum sheet to the set which informs the customer that the set has been checked carefully - but no fault was found.
 The problem was obviously caused by a scratched, dirty or copy-protected CD. In case problems remain, the customer is requested to contact the workshop directly.
 The lens cleaning (method ③) should be mentioned in the addendum sheet.

The final wording in national language as well as the printing is under responsibility of the Regional Service Organizations.

④

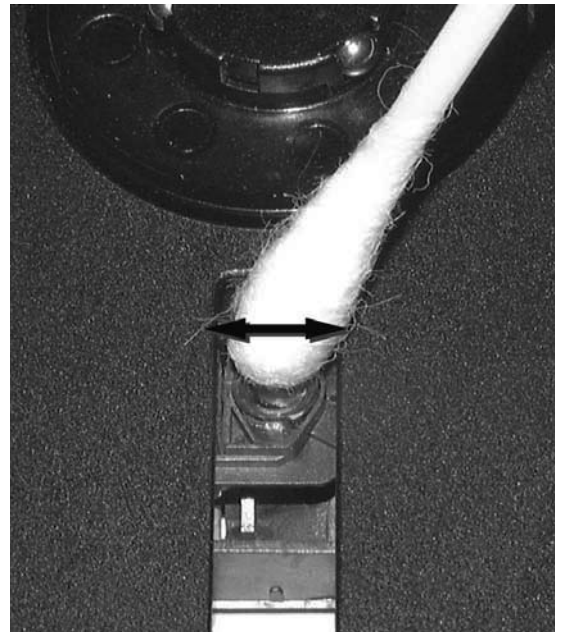
LIQUID LENS CLEANING

Before touching the lens it is advised to clean the surface of the lens by blowing clean air over it. This to avoid that little particles make scratches on the lens.

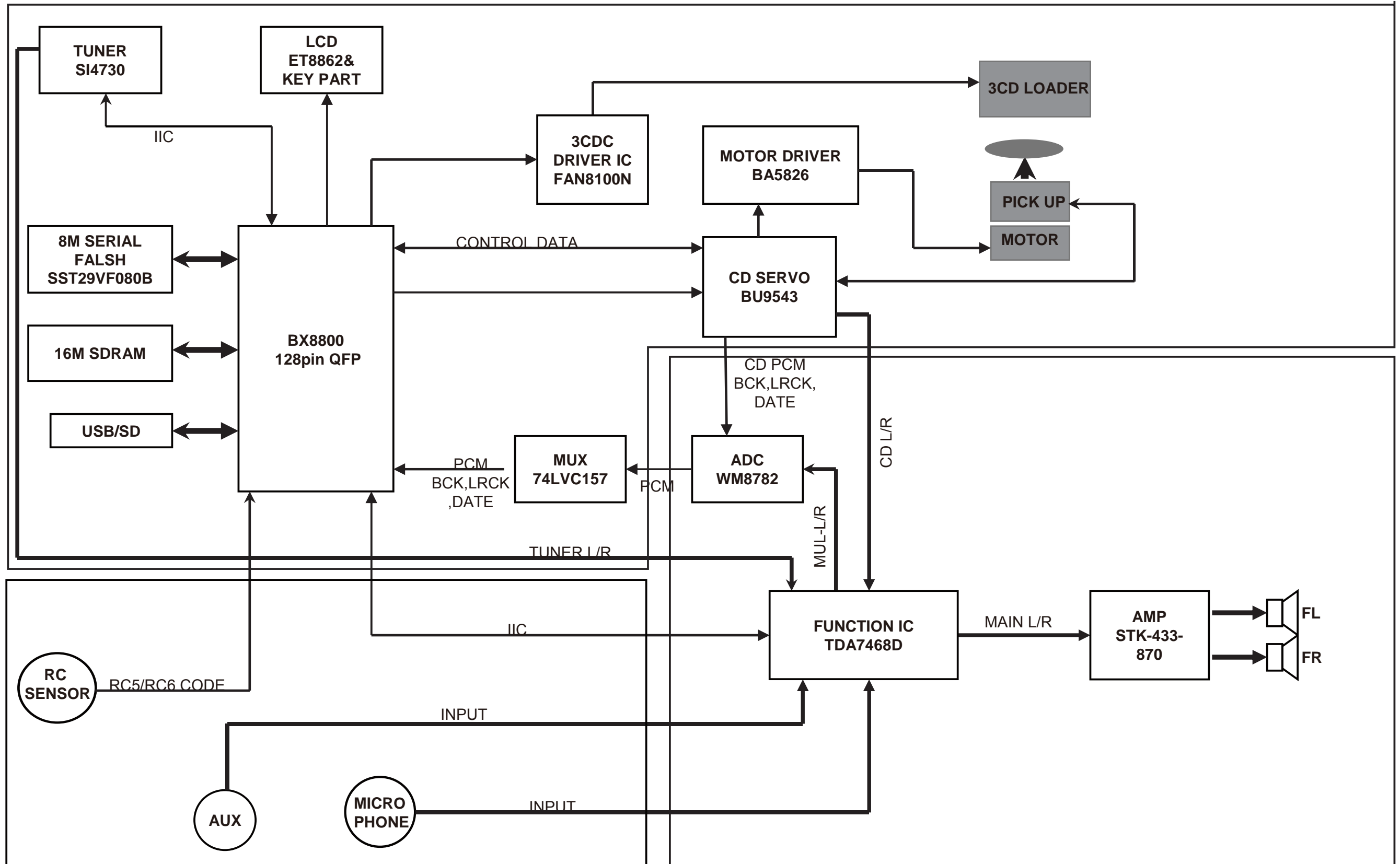
Because the material of the lens is synthetic and coated with a special anti-reflectivity layer, cleaning must be done with a non-aggressive cleaning fluid. It is advised to use "Cleaning Solvent"

The actuator is a very precise mechanical component and may not be damaged in order to guarantee its full function. Clean the lens gently (don't press too hard) with a soft and clean cotton bud moistened with the special lens cleaner.

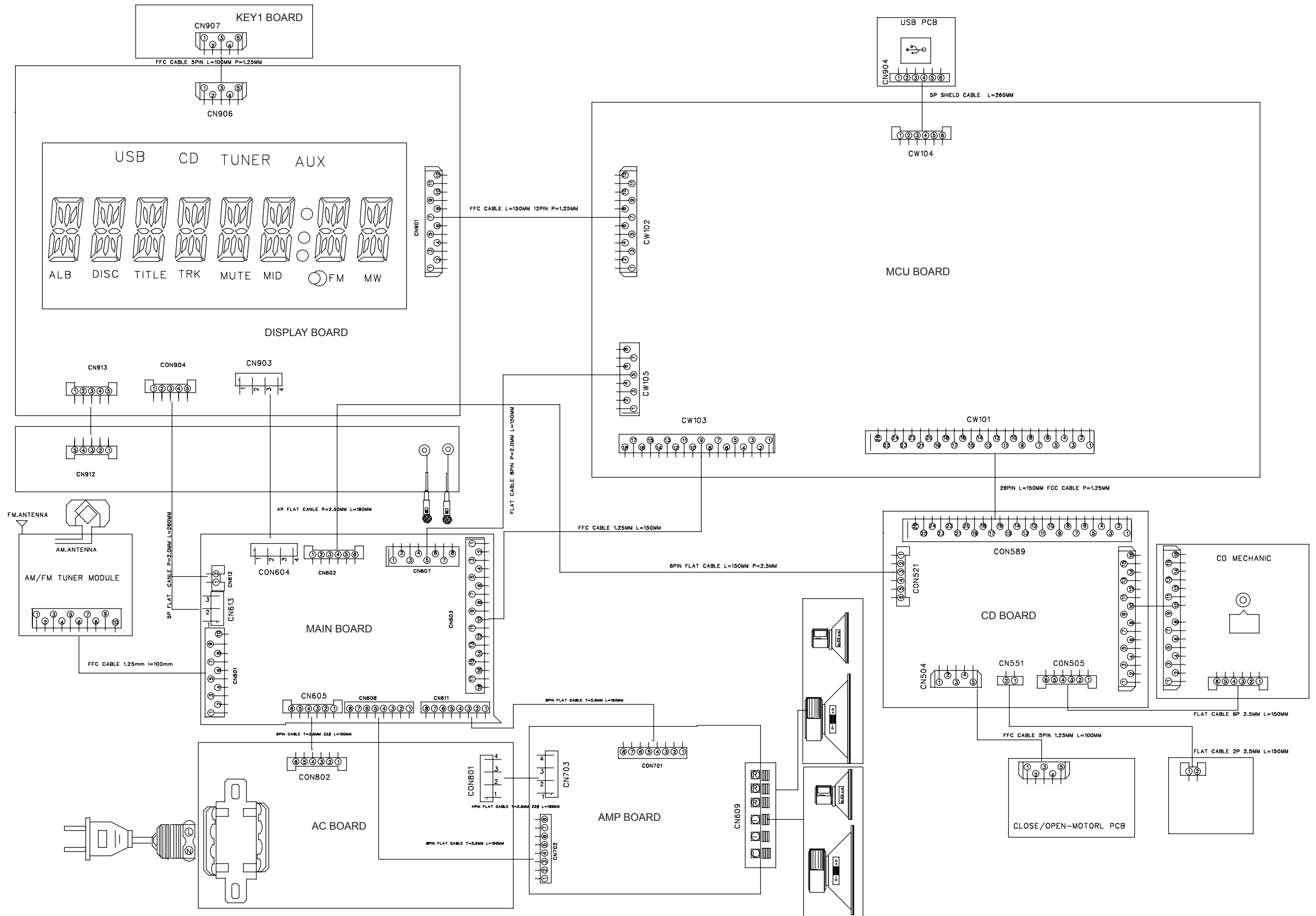
The direction of cleaning must be in the way as indicated in the picture below.



BLOCK DIAGRAM



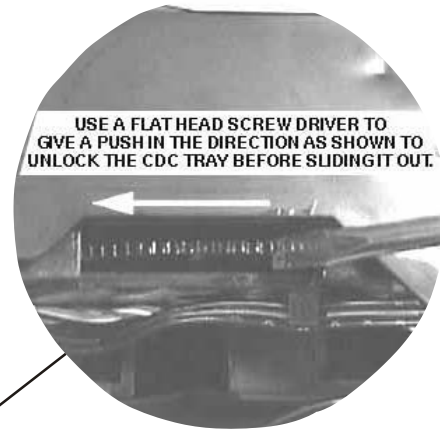
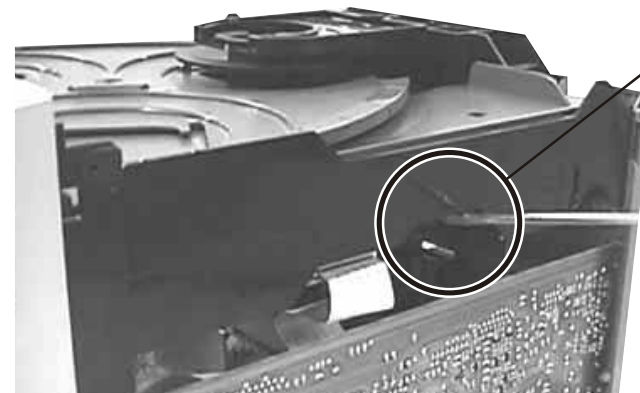
WIRING DIAGRAM



DISMANTLING INSTRUCTIONS

Dismantling of the CDC Module and Front Panel

- 1) Loosen 4 screws to remove the Cover Top of the set.
- 2) Loosen 2 screws to remove the Panel Left and 2 screws to remove the Panel Right of the set.
- 3) Slide out the CDC Tray as shown in the diagram below with the help of a flat head screw driver.

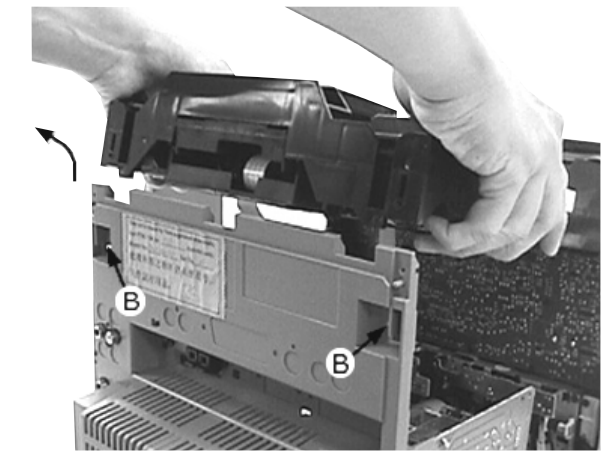


Sliding Out The CDC Tray

- 5) Loosen 2 screws A and 2 screws B to remove the CDC Module as indicated.
- 6) Remove 2 screws at the bottom to separate the Front Panel Assembly from the Plate Bottom.

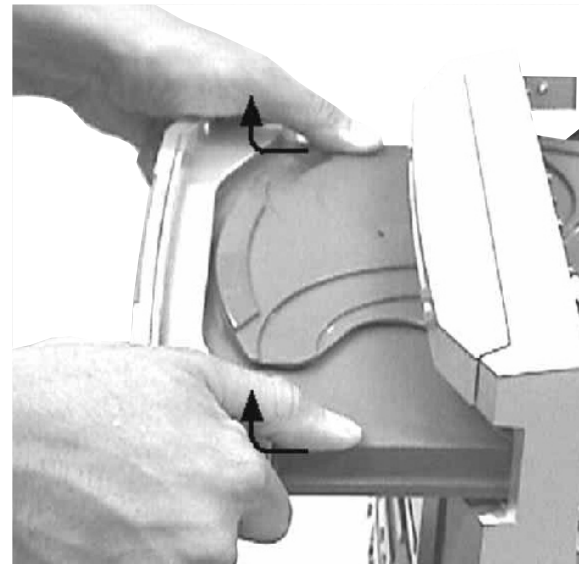


Front View CDC



Remove CDC Module

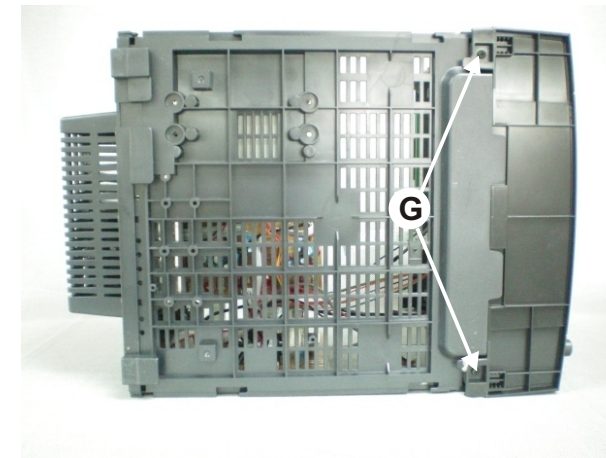
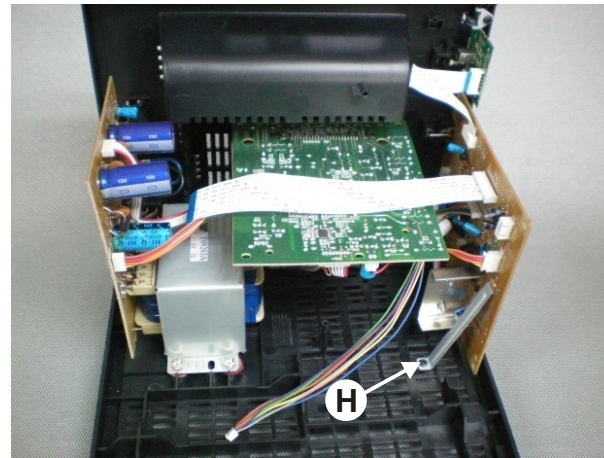
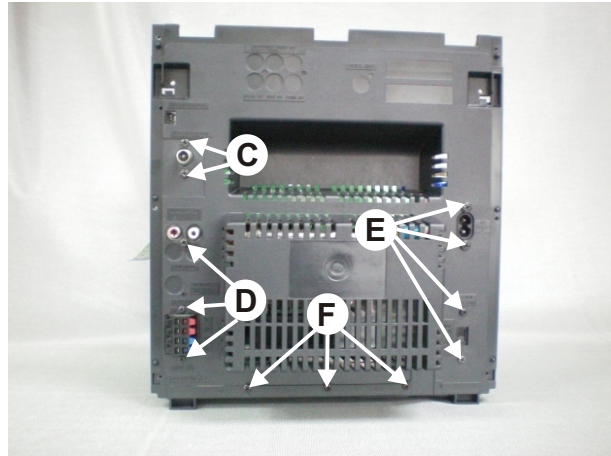
- 4) Remove the Cover Tray CDC as indicated.



Remove Cover Tray CDC

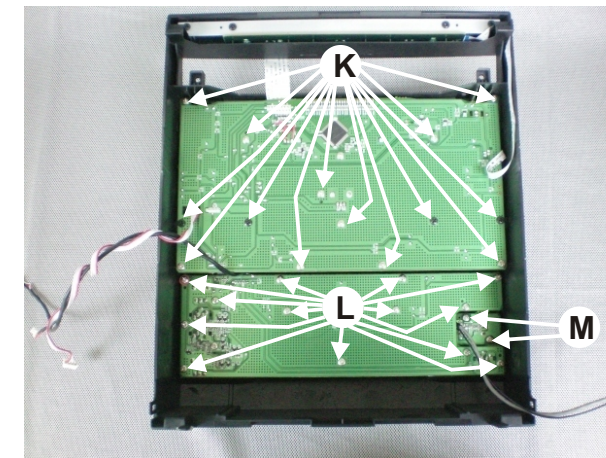
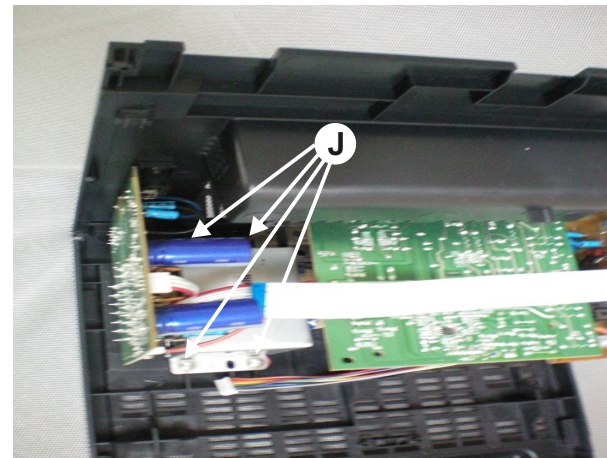
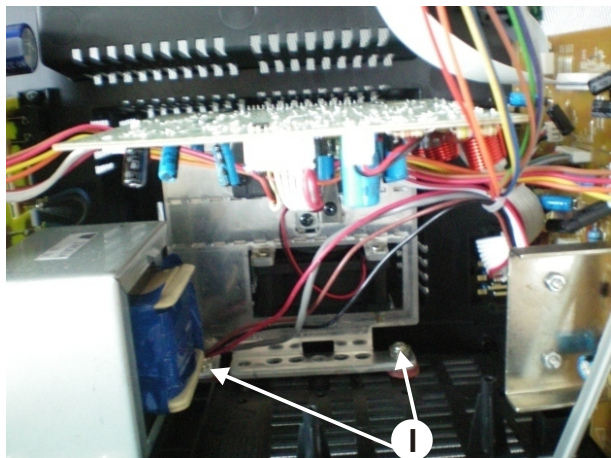
Dismantling of Rear Portion

- 1) Remove 2 screws C as indicated to loosen the Tuner Board.
- 2) Remove 4 screws D&H as indicated to loosen the Main Board.
- 3) Remove 6 screws E&I as indicated to loosen the Power Board.
- 4) Remove 3 screws F as indicated to loosen the Bottom Cabinet.
- 5) Remove 2 screws G as indicated to loosen the Front Cabinet.

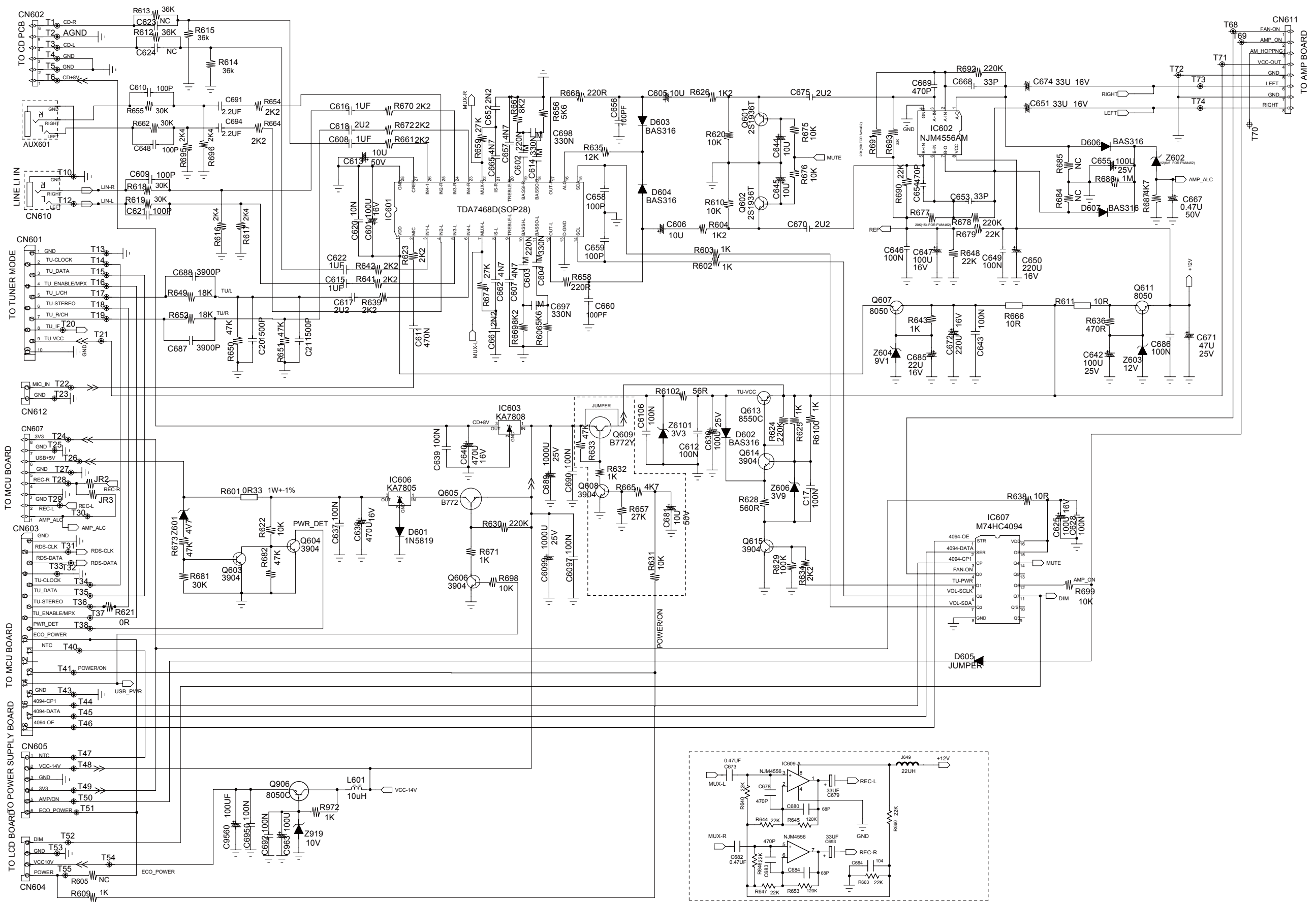


Dismantling of the PCB Board

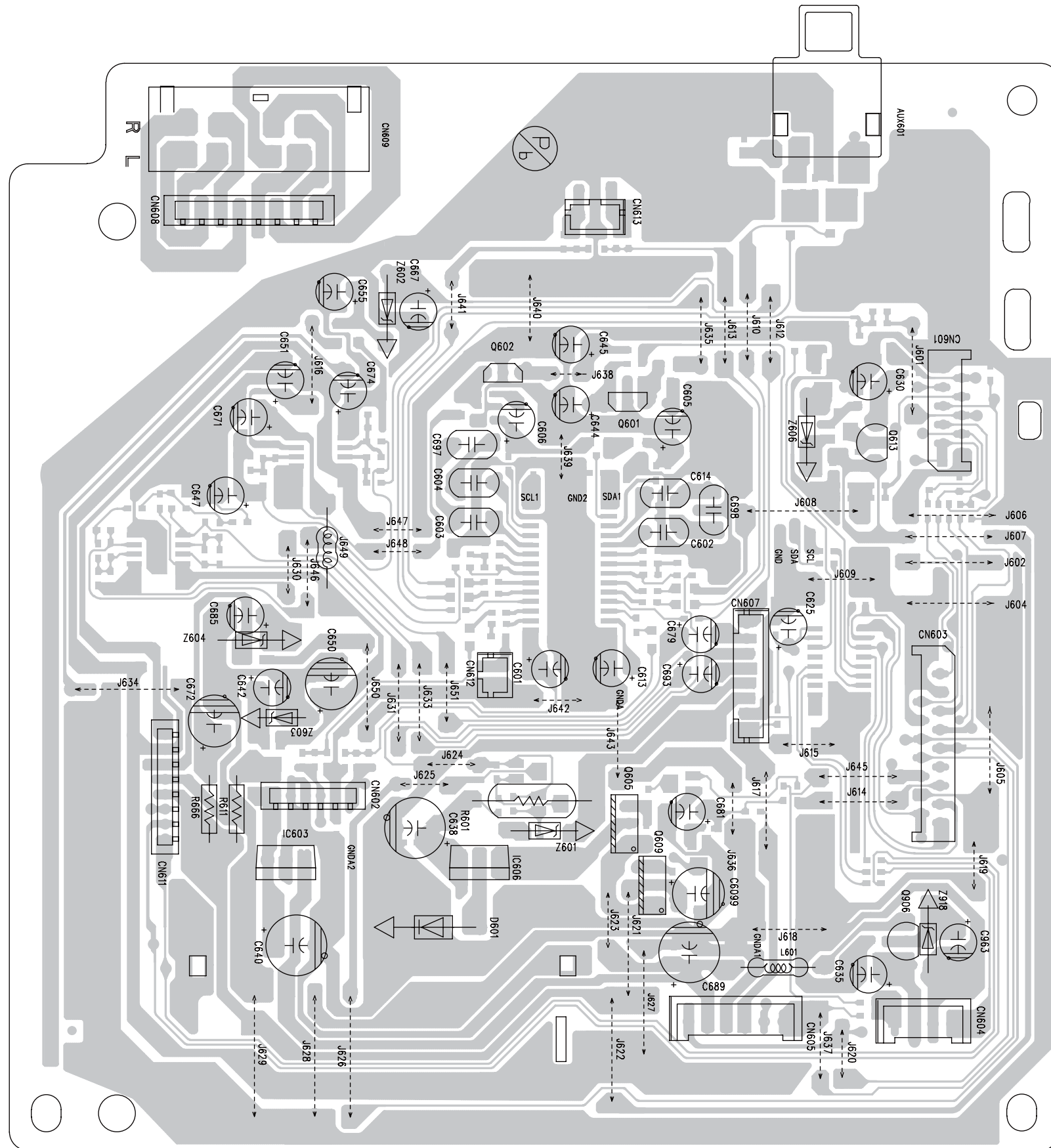
- 1) Remove 4 screws J as indicated to loosen the AMP Board.
- 2) Remove 27 screws K&L as indicated to loosen the KEY1&2 Board.
- 3) Remove 2 screws M as indicated to loosen the USB Board.



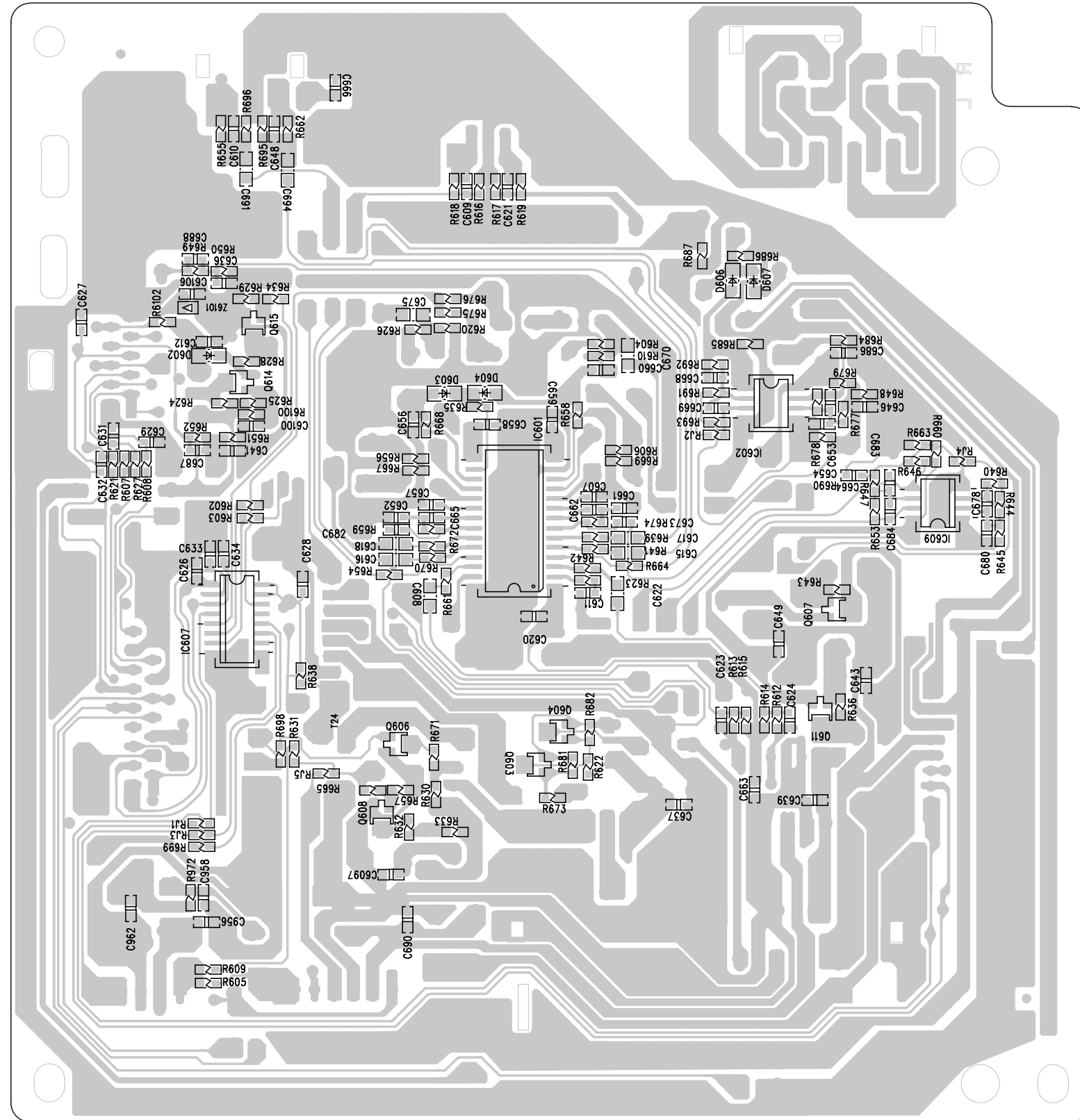
CIRCUIT DIAGRAM - MAIN BOARD



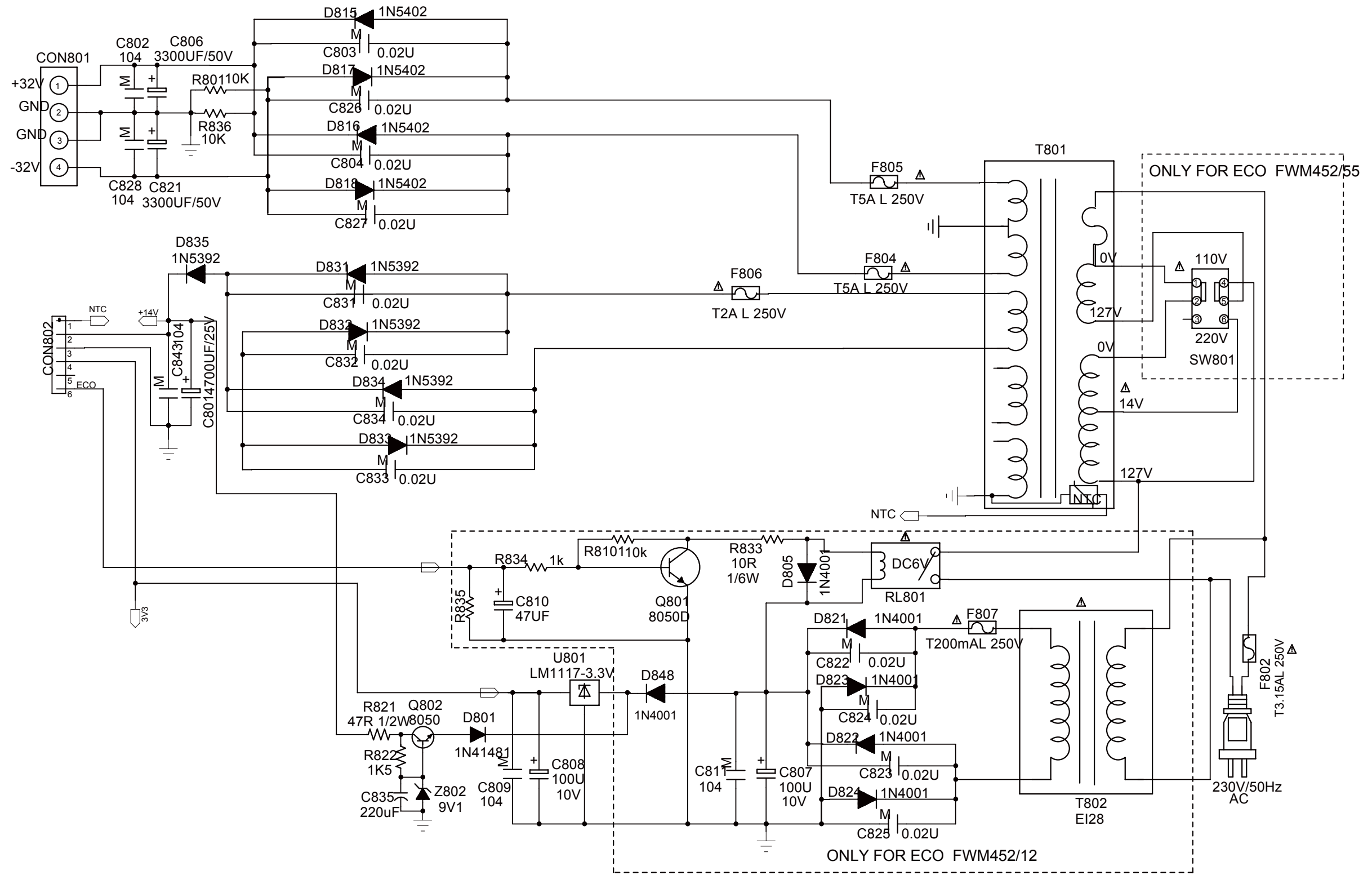
LAYOUT DIAGRAM - MAIN BOARD
TOP SIDE



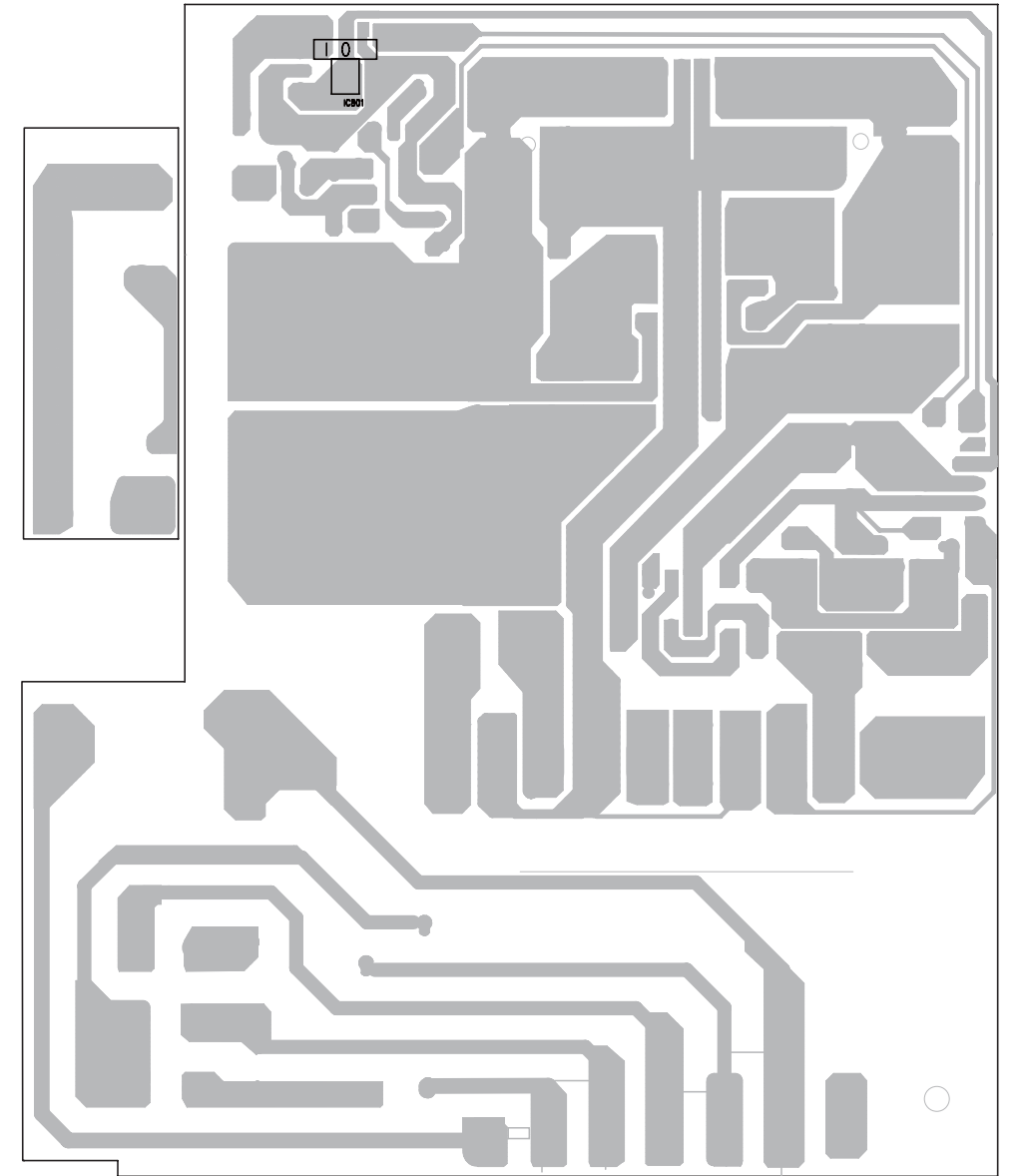
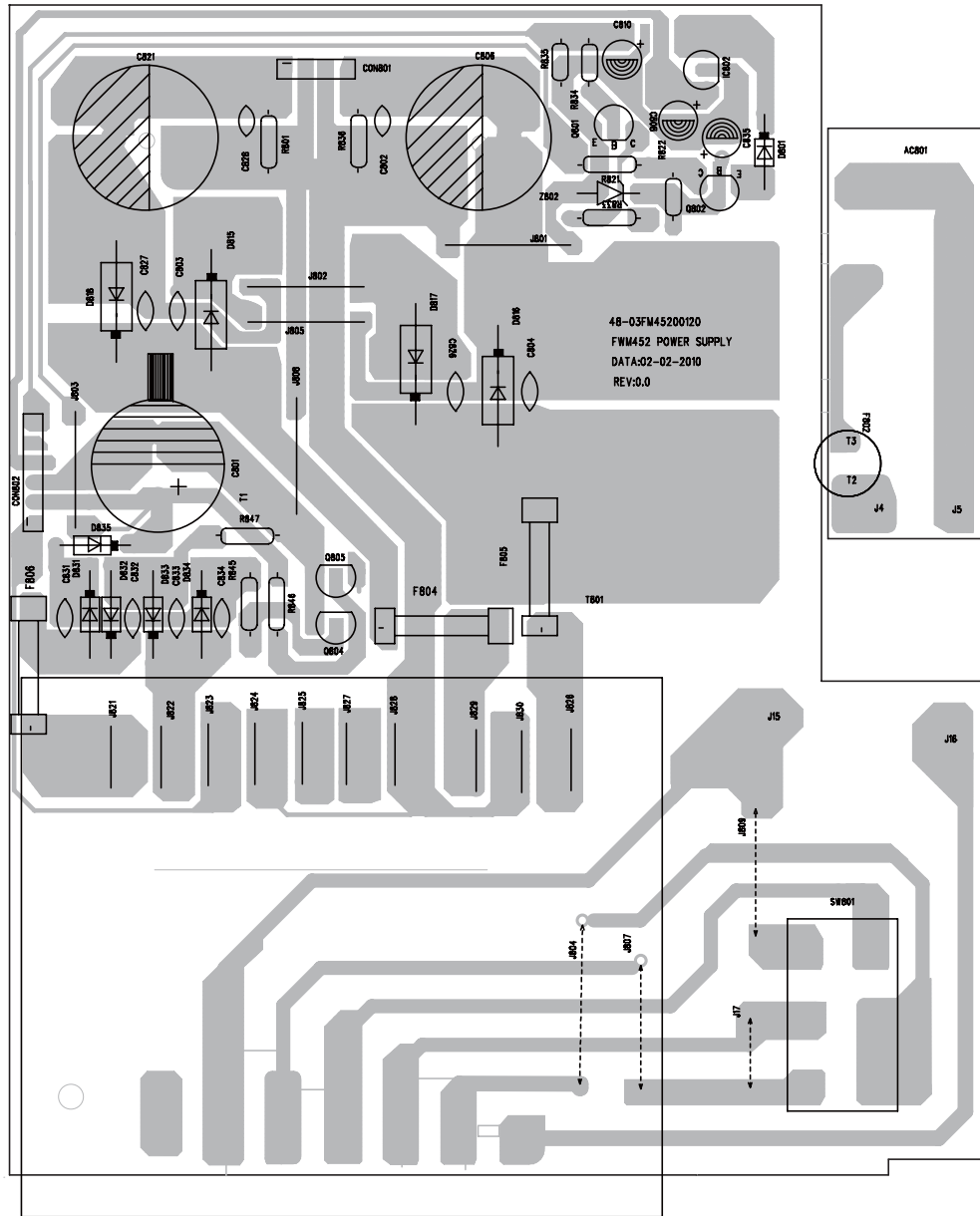
LAYOUT DIAGRAM - MAIN BOARD
BOTTOM SIDE



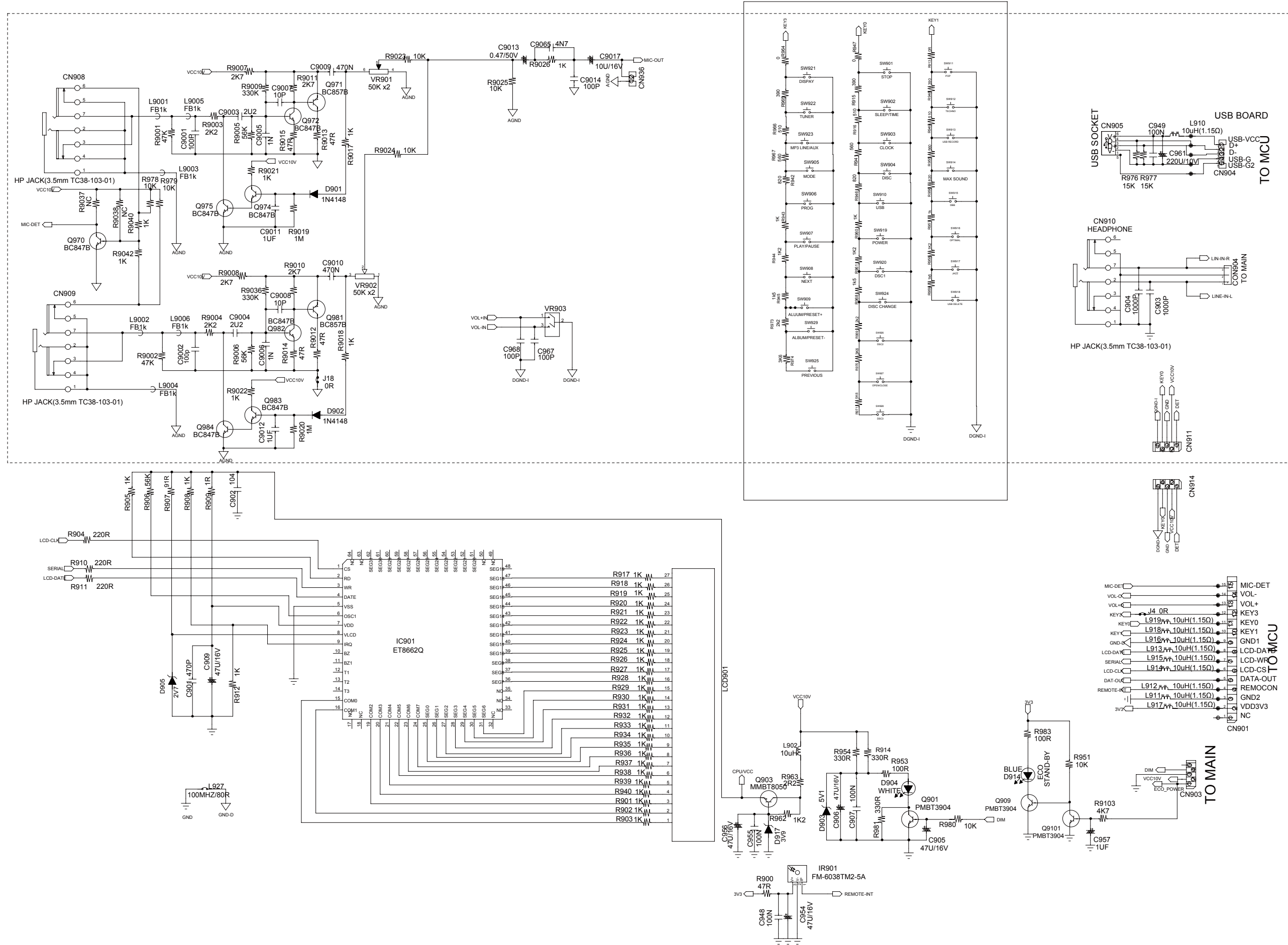
CIRCUIT DIAGRAM - AC BOARD



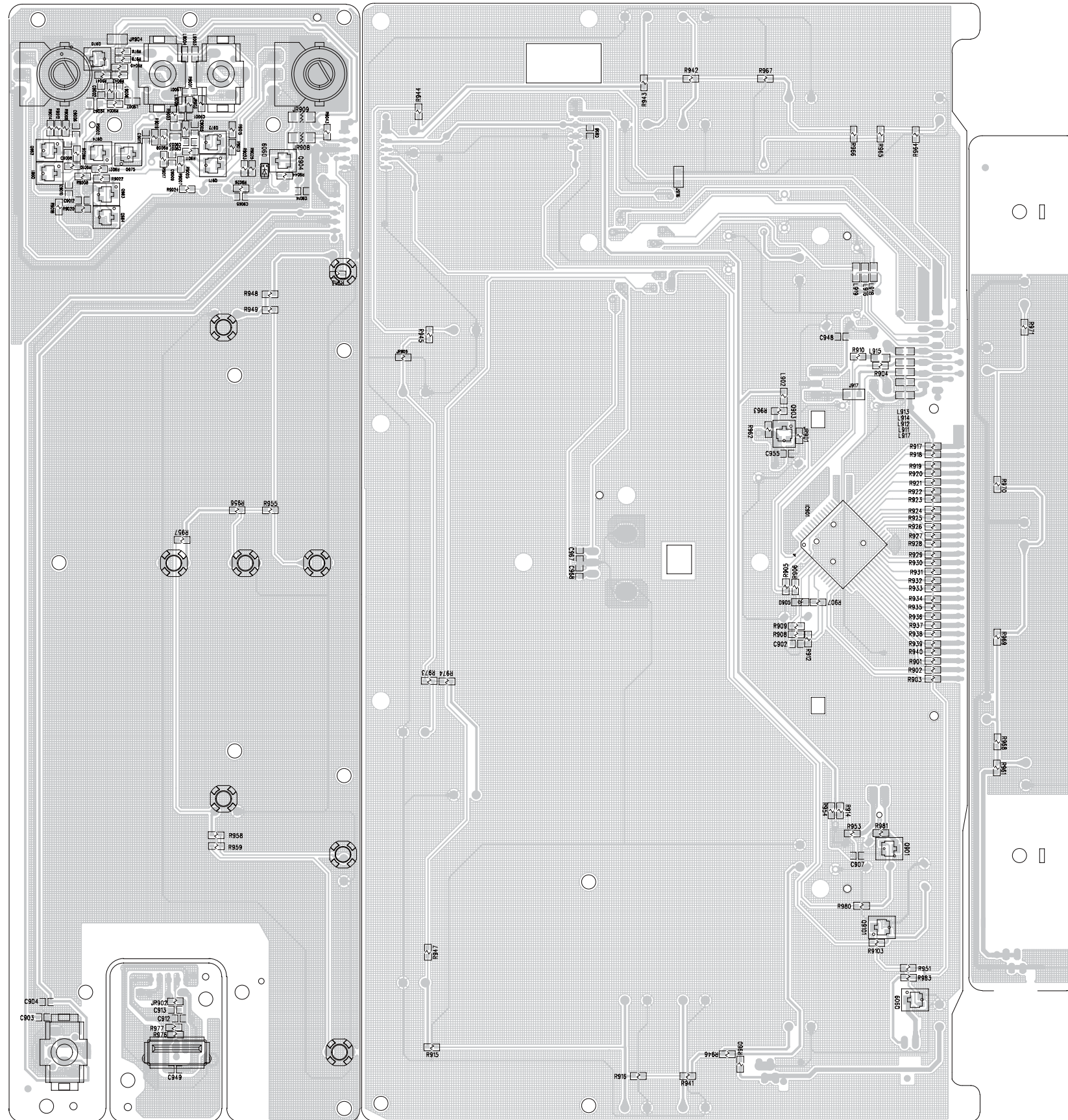
PCB LAYOUT - AC BOARD



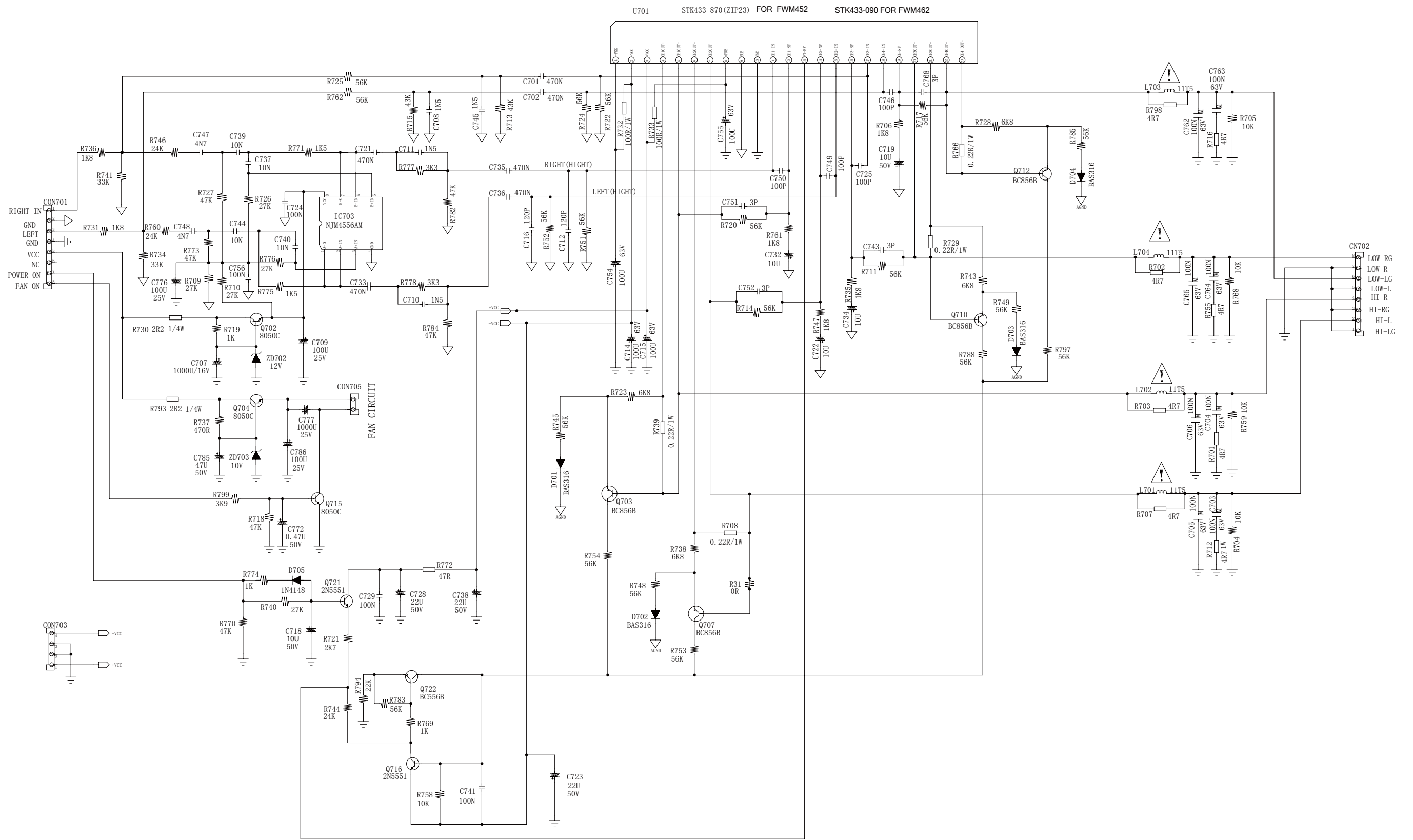
CIRCUIT DIAGRAM - DISPLAY BOARD



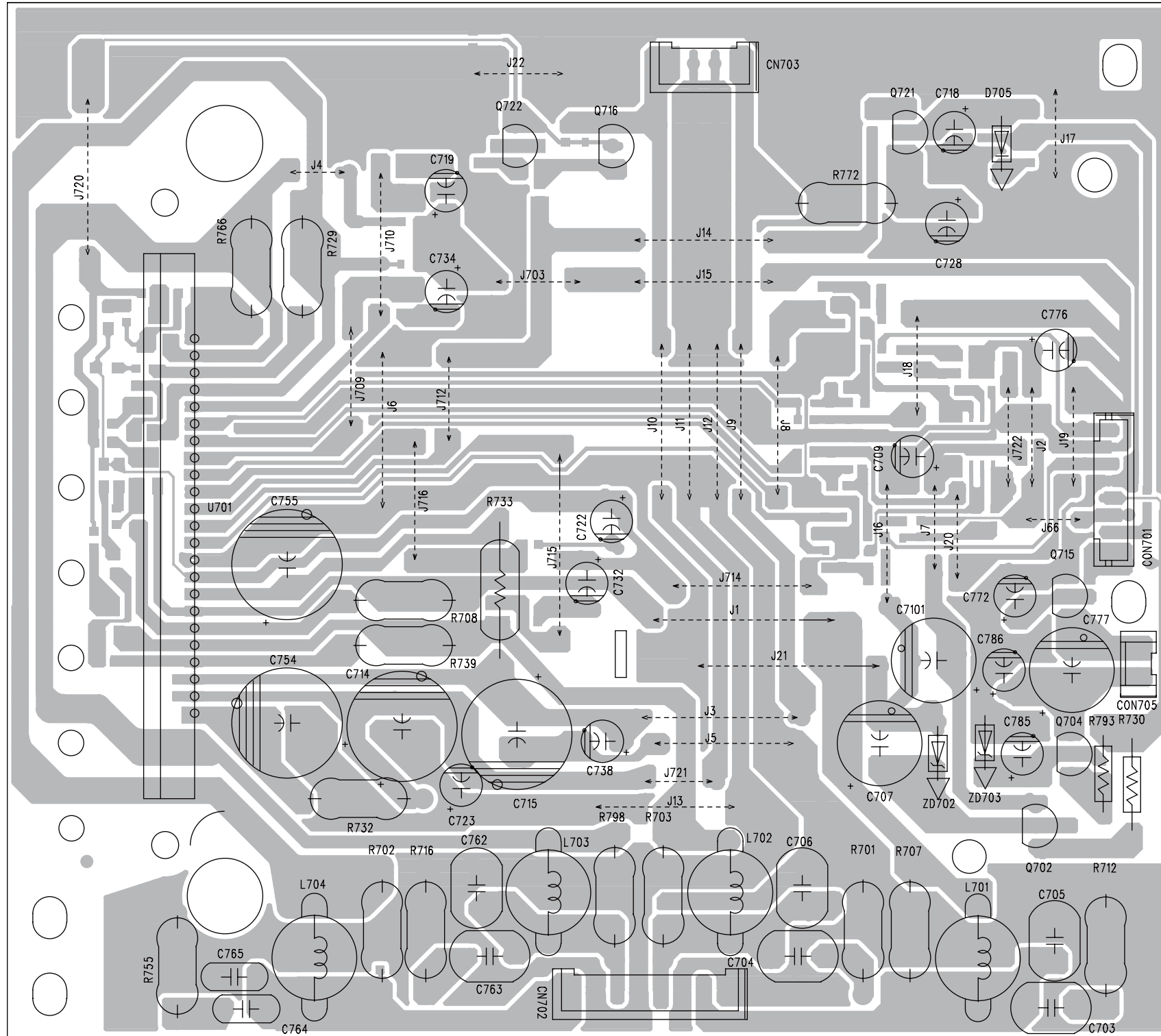
LAYOUT DIAGRAM - DISPLAY BOARD
BOTTOM SIDE



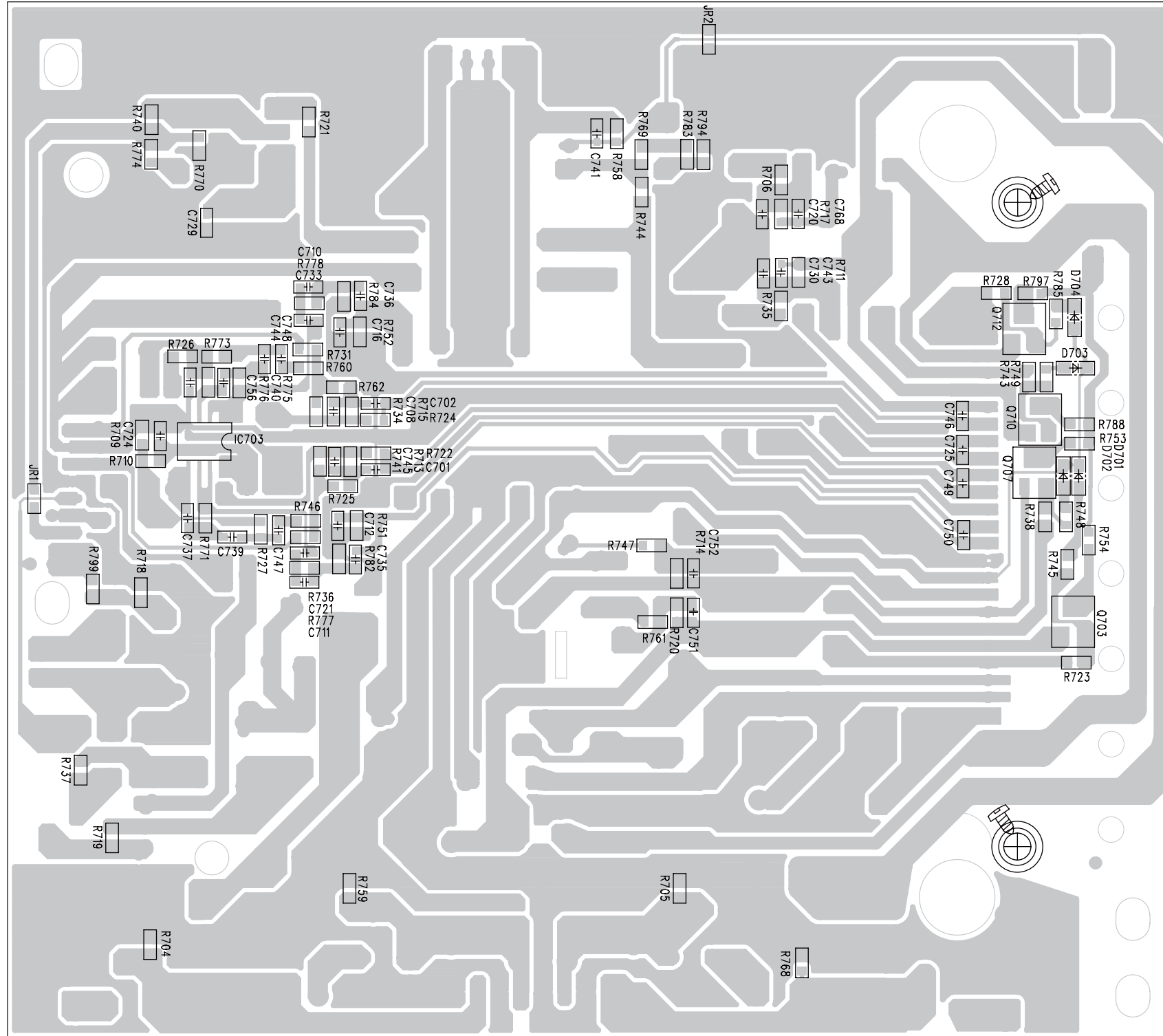
CIRCUIT DIAGRAM - AMP BOARD



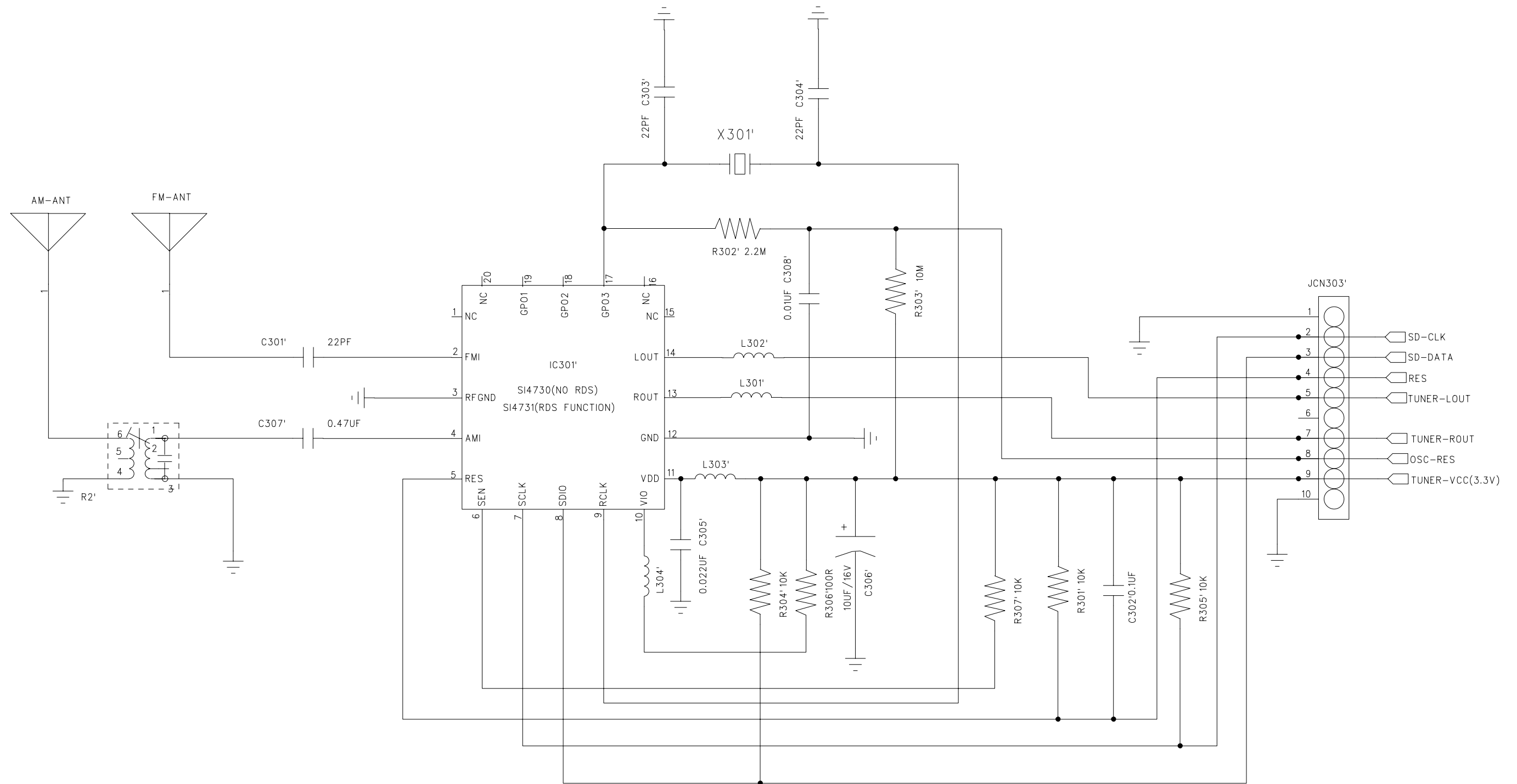
PCB LAYOUT - AMP BOARD
TOP SIDE



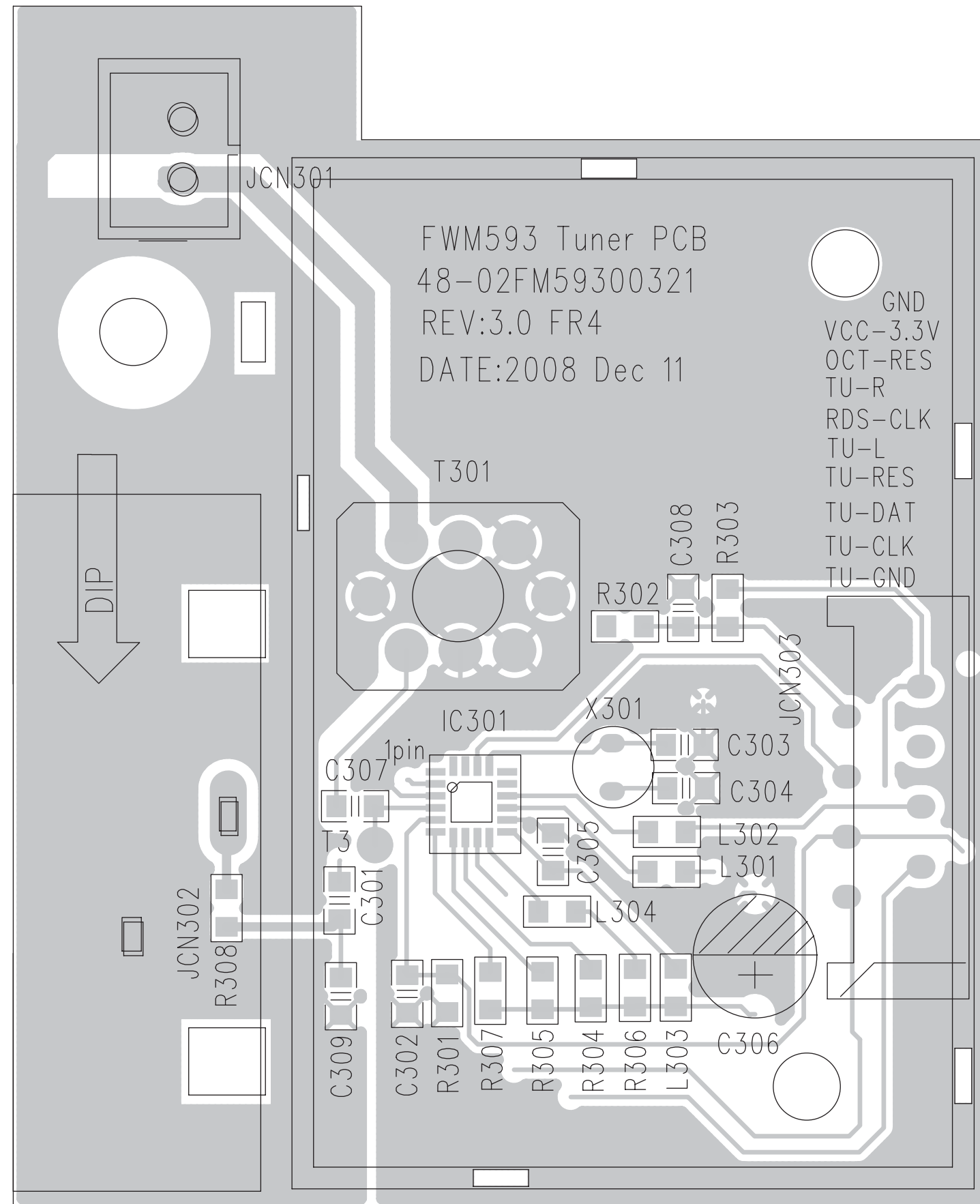
PCB LAYOUT - AMP BOARD
BOTTOM SIDE



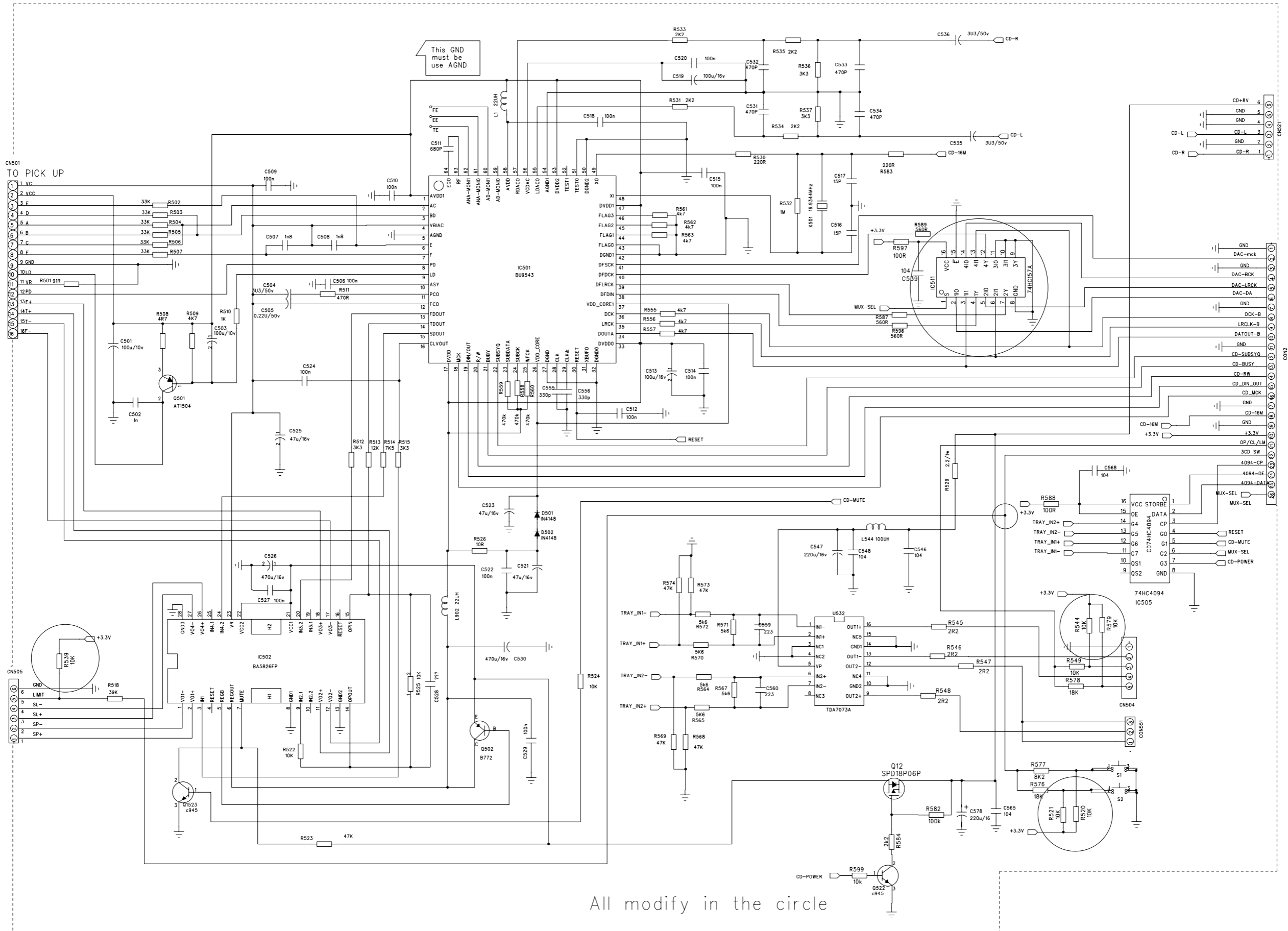
CIRCUIT DIAGRAM - TUNER BOARD



LAYOUT DIAGRAM - TUNER BOARD

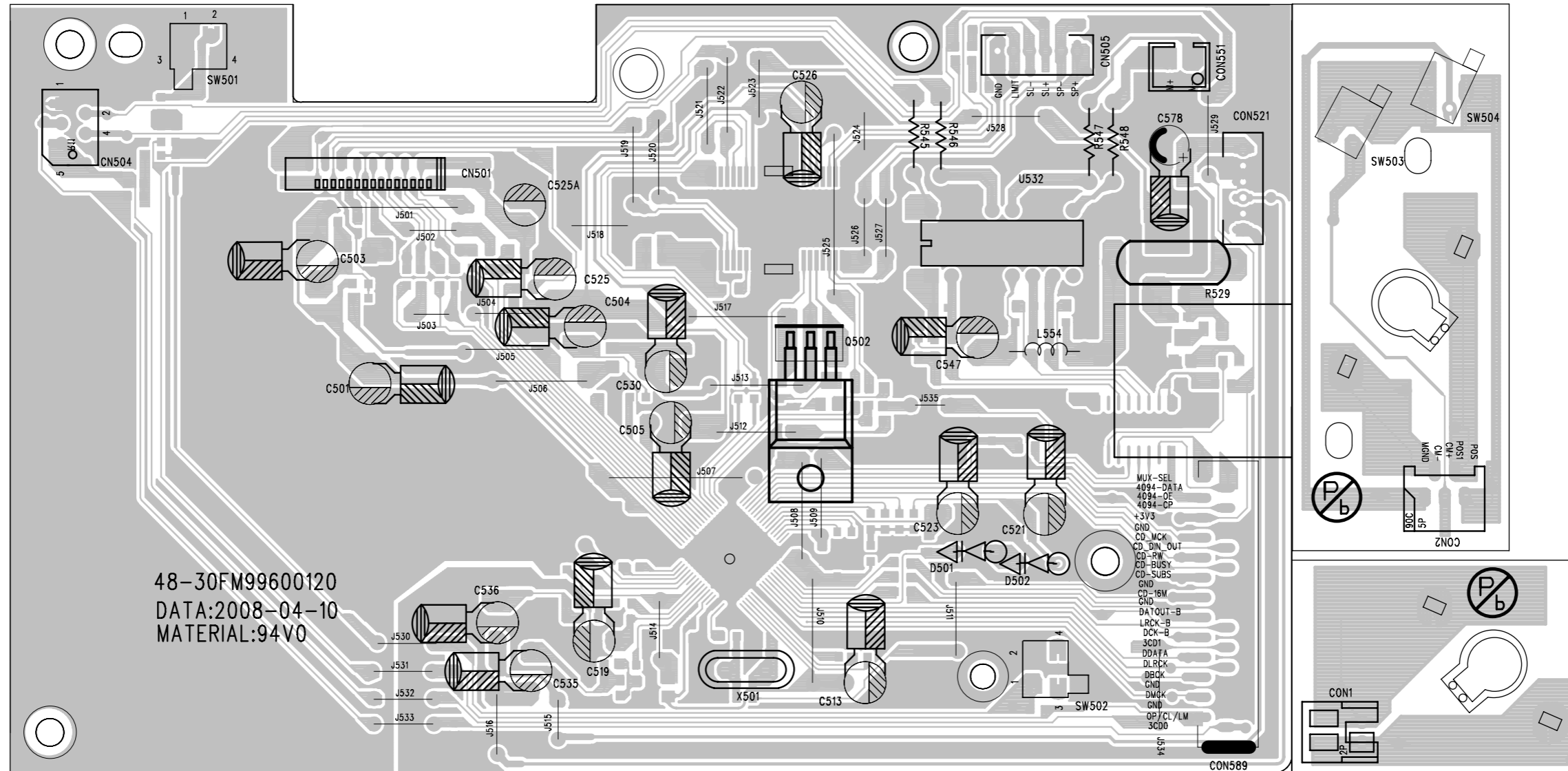


CIRCUIT DIAGRAM-CD BOARD

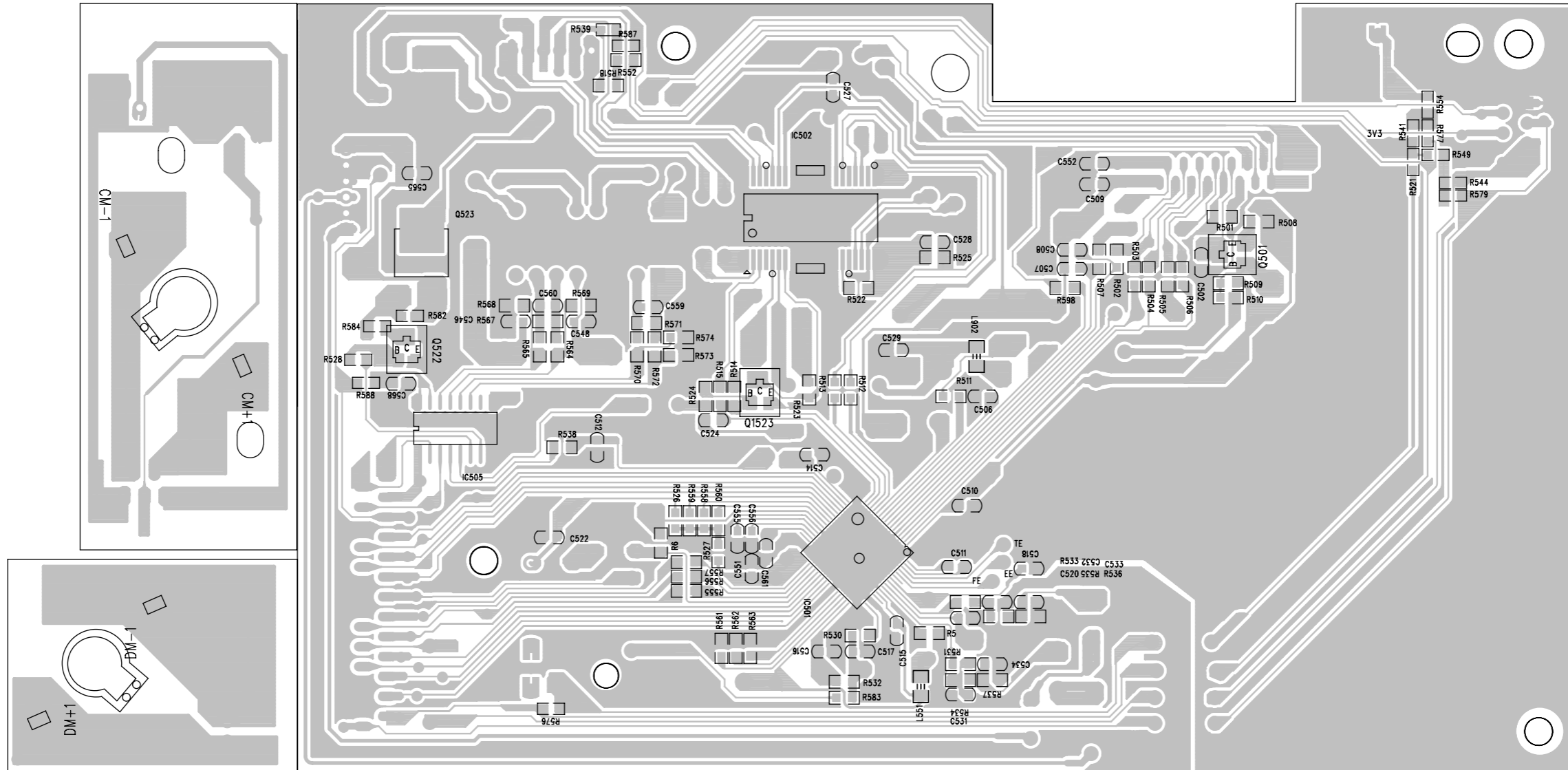


All modify in the circle

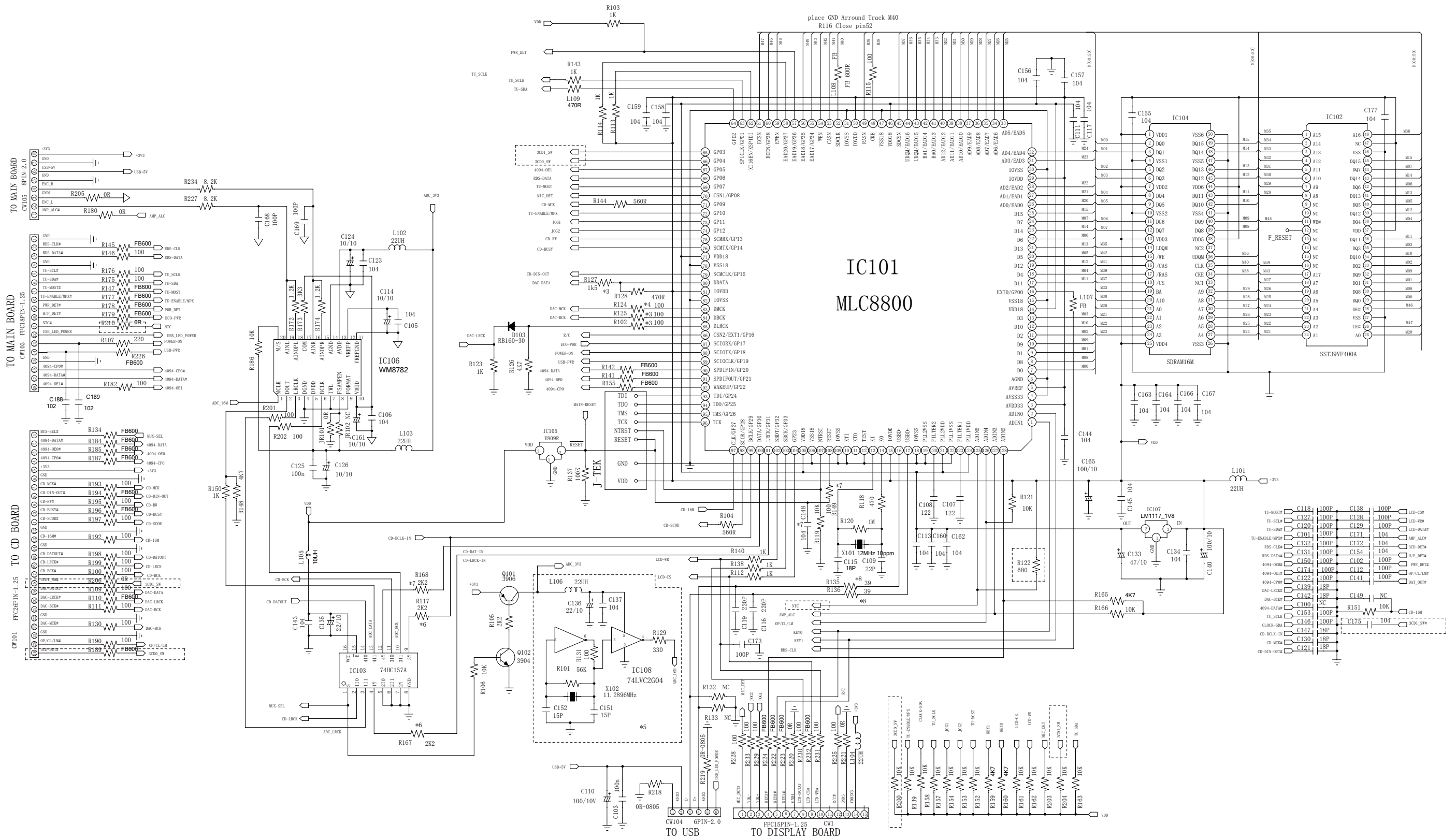
LAYOUT DIAGRAM-CD BOARD
TOP SIDE



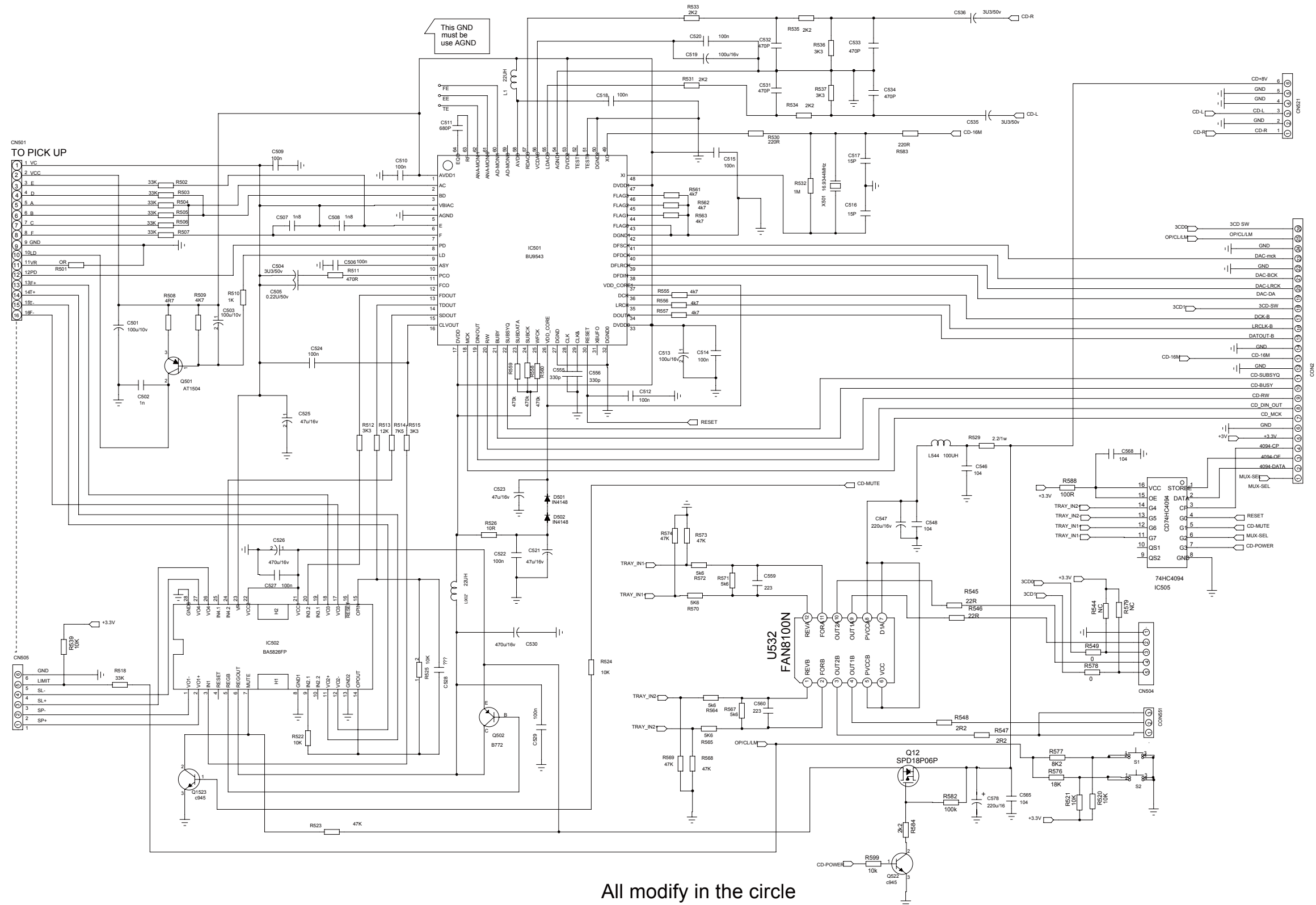
LAYOUT DIAGRAM-CD BOARD
BOTTOM SIDE



CIRCUIT DIAGRAM - MCU BOARD PART1



CIRCUIT DIAGRAM - MCU BOARD PART2



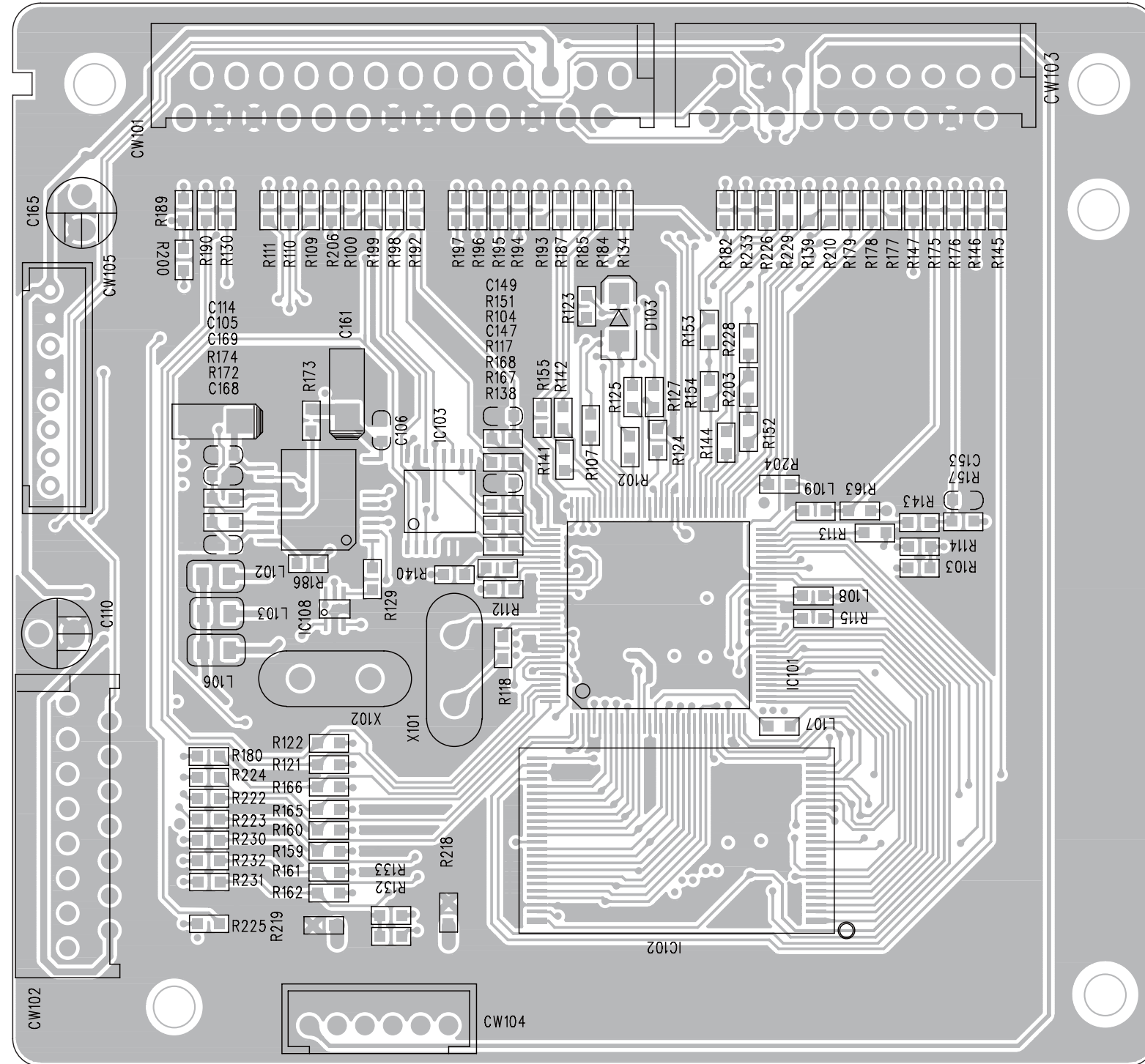
- CN501
TO PICK UP
1. VCC
 2. VCC
 3. E
 4. D
 5. A
 6. B
 7. C
 8. F
 9. GND
 10. LD
 11. VR
 12. PD
 13. +
 14. -
 15. -
 16. -

- CN505
6. GND
 5. LIMIT
 4. SL+
 3. SP+
 2. SP+

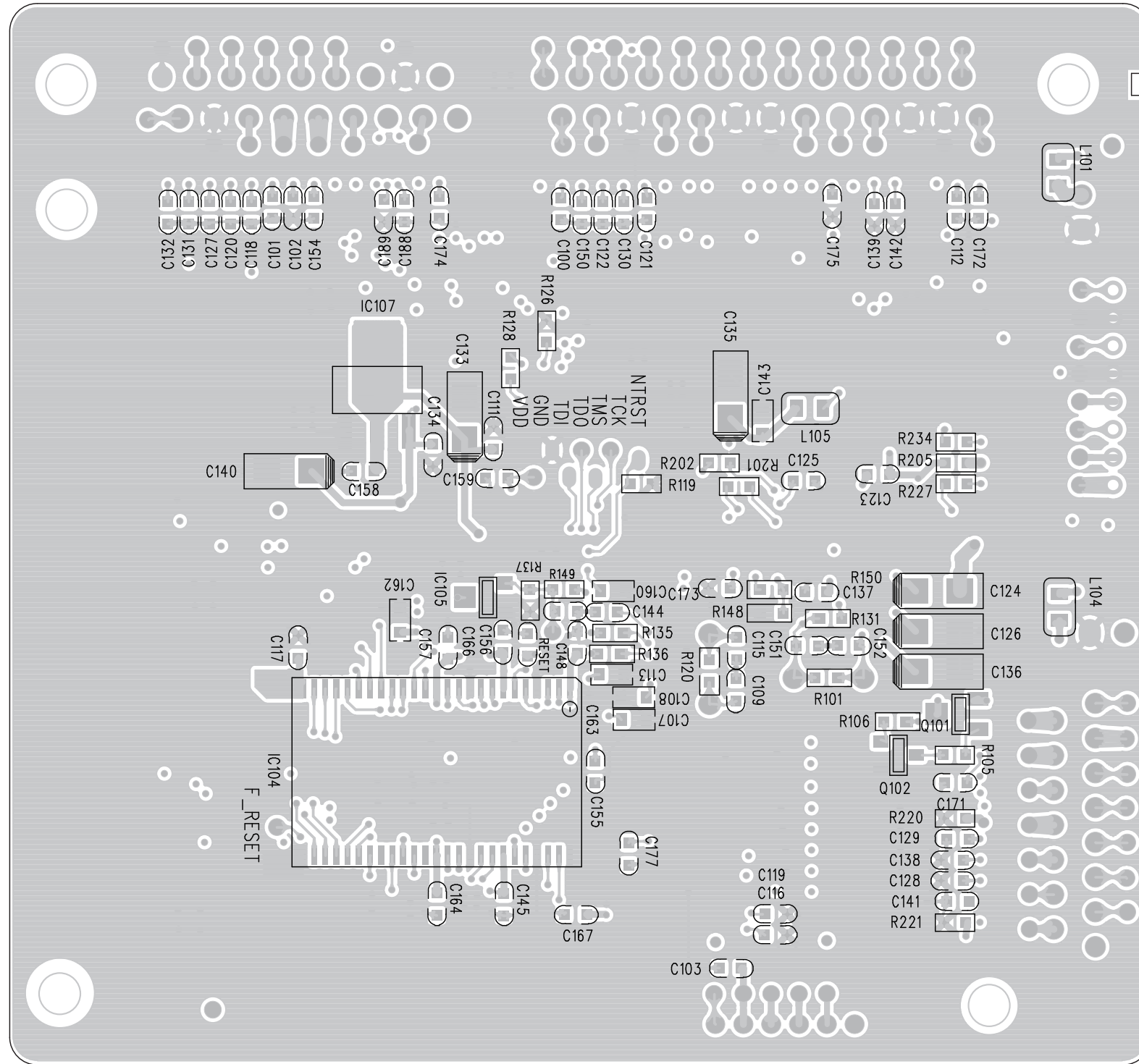
- CD+8V
6. CD+8V
 5. GND
 4. GND
 3. CD-L
 2. GND
 1. CD-R
- 3CD0
3. 3CD SW
 2. OPCLUM
 1. GND
 0. DAC-mck
 0. GND
 0. DAC-BCK
 0. DAC-LRCK
 0. DAC-DA
 0. 3CD-SW
 0. DCK-B
 0. LRCLK-B
 0. DATOUT-B
 0. GND
 0. CD-1M
 0. GND
 0. CD-SUBSYQ
 0. CD-BUSY
 0. CD-RW
 0. CD-DIN_OUT
 0. CD-MCK
 0. GND
 0. +3.3V
 0. +3.3V
 0. +3.3V
 0. +3.3V
 0. MUX-SEL
 0. MUX-SEL
- CD-16M
0. GND
 0. CD-1M
 0. GND
 0. CD-SUBSYQ
 0. CD-BUSY
 0. CD-RW
 0. CD-DIN_OUT
 0. CD-MCK
 0. GND
 0. +3.3V
 0. +3.3V
 0. +3.3V
 0. +3.3V
 0. MUX-SEL
 0. MUX-SEL
- CD-MUTE
0. CD-MUTE
 0. CD-POWER
- CD-POWER
0. CD-POWER

All modify in the circle

PCB LAYOUT - MCU BOARD
TOP SIDE



PCB LAYOUT - MCU BOARD
BOTTOM SIDE



SET EXPLODED VIEW

